

VERMEIREN



Paris

INSTRUCTION MANUAL
MODE D'EMPLOI
GEBRUIKSAANWIJZING
GEBRAUCHSANWEISUNG
ISTRUZIONI PER L'USO
MANUAL DE INSTRUCCIONES
INSTRUKCJA OBSŁUGI





Instructions to the specialist dealer

This instruction manual is part and parcel of the product and must accompany every product sold.

Version: B, July 2012

All rights reserved, including translation.

No part of this manual may be reproduced in any form what so ever (print, photocopy, microfilm or any other process) without written permission of the publisher, or processed, duplicated or distributed by using electronic systems.

© N.V. Vermeiren N.V. 2012



Instructions pour les distributeurs

Ce manuel d'instructions fait partie du produit et doit accompagner chaque produit vendu.

Version : B, Juillet 2012

Tous droits réservés, y compris la traduction.

Aucune partie de ce manuel ne peut être reproduite, sous quelque forme que ce soit (imprimée, photocopie, microfilm ou tout autre procédé) sans l'autorisation écrite du publicateur, ni traitée, dupliquée ou distribuée à l'aide de systèmes électroniques.

© N.V. Vermeiren N.V. 2012



Instructies voor de vakhandelaar

Deze handleiding is deel van het product en dient bij iedere product te worden geleverd.

Versie: B, juli 2012

Alle rechten, inclusief vertaling, voorbehouden.

Niets uit deze handleiding mag geheel of gedeeltelijk in enige vorm (druk, fotokopie, microfilm of ieder ander procedé) zonder de schriftelijke toelating van de uitgever worden gereproduceerd of met behulp van elektronische systemen worden verwerkt, gekopieerd of verspreid.

© N.V. Vermeiren N.V. 2012



Hinweise für den Fachhändler

Diese Gebrauchsanweisung ist Bestandteil des Produkts und ist bei jeder Produkts auszuhändigen.

Version: B, Juli 2012

Alle Rechte, auch an der Übersetzung, vorbehalten.

Kein Teil der Gebrauchsanweisung darf in irgendeiner Form (Druck, Fotokopie, Mikrofilm oder einem anderen Verfahren) ohne schriftliche Genehmigung des Herausgebers reproduziert oder unter Verwendung elektronischer Systeme verarbeitet, vervielfältigt oder verbreitet werden.

© N.V. Vermeiren N.V. 2012



Istruzioni per il rivenditore

Il presente Manuale di istruzioni è parte integrante del prodotto e deve essere fornito assieme alla prodotto.

Versione: B, Luglio 2012

Tutti i diritti riservati (anche sulla traduzione).

Il presente manuale non può essere riprodotto, neppure parzialmente, con alcun mezzo (stampa, fotocopia, microfilm o altro procedimento) senza l'autorizzazione scritta della casa produttrice, né elaborato, duplicato o distribuito con l'ausilio di sistemi elettronici.

© N.V. Vermeiren N.V. 2012



Instrucciones destinadas a los distribuidores especializados

El presente manual de instrucciones es parte integrante del producto y se debe adjuntar a todas las producto que se vendan.

Versión: B, Julio 2012

Todos los derechos reservados, incluidos los de la traducción.

Se prohíbe la reproducción total o parcial del presente manual de cualquier forma (impresión, fotocopia, microfilm o cualquier otro procedimiento), así como la edición, copia o distribución empleando sistemas electrónicos, sin el permiso escrito del editor.

© N.V. Vermeiren N.V. 2012



Instrukcje dla wyspecjalizowanego sprzedawcy

Niniejsza instrukcja obsługi jest nieodłączną częścią produktu i musi być dołączona do każdego sprzedawanego produktu.

Wersja: B, Lipca 2012

Wszelkie prawa zastrzeżone, łącznie z tłumaczeniem.

Żadna część niniejszej instrukcji nie może być powielana w jakiegokolwiek formie (drukowanej, fotokopii, mikrofilmu ani innej) bez pisemnej zgody wydawcy, nie może być również przetwarzana, kopiowana ani rozprowadzana za pomocą systemów elektronicznych.

© N.V. Vermeiren N.V. 2012

EN Contents

1. Technical details	2
2. Components	2
3. Explanation of symbols	2
4. Check after delivery	2
5. Intended use	2
6. Assembly / Dismantling	3
7. Use of the swivel seat	3
8. Carrying the swivel seat	4
9. Safety instructions	4
10. Care	4
11. Disinfection	5
12. Repairs / Service / Inspection	5
13. Shipping and storage	5
14. Warranty	5
15. Disposal	5
16. Declaration of conformity	5

FR Table des matières

1. Caractéristiques techniques	6
2. Composants	6
3. Explication des symboles	6
4. Contrôle lors de la réception	6
5. Utilisation	6
6. Montage / Démontage	7
7. Utilisation du siège pivotant	7
8. Porter le siège rotatif	8
9. Consignes de sécurité	9
10. Entretien	9
11. Désinfection	9
12. Réparation / entretien / inspection	9
13. Emballage et stockage	7
14. Garantie	7
15. Recyclage	7
16. Déclaration de conformité	7

NL Inhoudsopgave

1. Technische gegevens	11
2. Onderdelen	11
3. Verklaring van de symbolen	11
4. Controle bij ontvangst	11
5. Gebruik	11
6. Montage / Demontage	12
7. Gebruik van de draaibare zit	12
8. Dragen van de draaibare zit	13
9. Veiligheidsinstructies	13
10. Verzorging	14
11. Desinfecteren	14
12. Reparatie / onderhoud / inspectie	14
13. Verpakking en opslag	14
14. Garantie	15
15. Afvalverwerking	15
16. Verklaring van overeenstemming	15

DE Inhalt

1. Technische Angaben	16
2. Bauteile	16
3. Zeichenerklärung	16
4. Prüfungen nach der Lieferung	16
5. Zweckbestimmung	17
6. Zusammenbau/Zerlegen	17
7. Verwenden des Drehsitzes	17
8. Transportieren des Drehsitzes	19
9. Sicherheitshinweise	19
10. Pflege	19
11. Desinfektion	19
12. Reparatur / Wartung / Inspektion	19
13. Verpackung und Lagerung	20
14. Gewährleistung	20
15. Entsorgung	20
16. Übereinstimmungserklärung	20

IT Indice

1. Dati tecnici	21
2. Componenti	21
3. Significato dei simboli	21
4. Controllo dopo la consegna	21
5. Utilizzo previsto	21
6. Assemblaggio / Smontaggio	22
7. Utilizzo del sedile girevole	22
8. Trasporto del sedile girevole	23
9. Istruzioni per la sicurezza	24
10. Pulizia	24
11. Disinfezione	24
12. Riparazione / Manutenzione / Controllo	24
13. Trasporto e conservazione	25
14. Garanzia	25
15. Smaltimento	25
16. Dichiarazione di conformità	25

ES Índice

1. Datos técnicos	26
2. Componentes	26
3. Explicación de los símbolos	26
4. Comprobación tras la entrega	26
5. Uso previsto	26
6. Montaje / Desmontaje	27
7. Uso del asiento giratorio	27
8. Transporte del asiento giratorio	28
9. Instrucciones de seguridad	29
10. Cuidados	29
11. Desinfección	29
12. Reparaciones / Mantenimiento / Inspección	29
13. Envío y almacenamiento	30
14. Garantía	30
15. Eliminación	30
16. Declaración de conformidad	30

PL Spis treści

1. Dane techniczne	31
2. Elementy	31
3. Objaśnienie symboli	31
4. Kontrola po dostawie	31
5. Przeznaczenie	31
6. Montaż / Demontaż	32
7. Obsługa krzesła obrotowego	32
8. Przenoszenie krzesła	33
9. Instrukcje bezpieczeństwa	34
10. Pielęgnacja	34
11. Dezynfekcja	34
12. Naprawa / konserwacja/przeglądy	34
13. Transport i przechowywanie	35
14. Gwarancja	35
15. Utylizacja	35
16. Deklaracja zgodności	35



INSTRUCTION MANUAL
Swivel bath transfer seat "Paris"

1. Technical details

⚠ WARNING: Risk of unsafe settings - Use only the settings described in this manual.

Make	Vermeiren
Address	Vermeirenplein 1/15, B-2920 Kalmthout
Type	Swivel bath transfer seat
Model	Paris
Width	515 mm
Length	721 mm
Height	560 mm
Dismantled height (backrest, arm supports removed)	235 mm
Seat width	410 mm
Seat depth	370 mm
Backrest height	325 mm
Inner width bathtub	560 - 660 mm
Weight total	6,65 kg
Weight frame	5,55 kg
Weight arm supports	0,50 kg
Weight backrest:	0,65 kg
Patient weight	max. 130 kg
Storage temperature	+5°C - +41°C
We reserve the right to introduce technical changes. Measurement tolerance +/- 15 mm / 1,5 kg	

First of all we wish to thank you for the trust you placed in us by selecting a **VERMEIREN** product.

Before using the seat, read the instruction manual carefully: it will familiarise you with this product.

You will also be given hints about the care and service of your seat. Please remember that observance of our hints would keep your product in an excellent condition of preservation and it will function perfectly even after years of use.

If you have any further questions, please consult your specialist dealer.

To find a service facility or specialist dealer near you, contact the nearest Vermeiren facility. A list of Vermeiren facilities can be found on the last page.

Visually impaired people can contact the dealer for the instructions for use.

2. Components

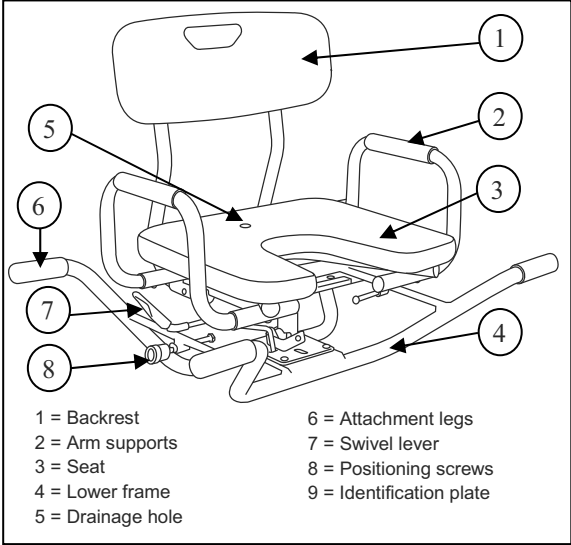


Fig 1. Components Swivel seat

3. Explanation of symbols

- Maximum mass
- Indoor use
- CE conformity
- Read the instruction manual before use
- Observe the safety instructions

4. Check after delivery

Unpack your product and verify if the delivery is complete. Following items should be included:

- Swivel bath transfer seat
- Arm supports
- Backrest
- Manual

Verify your product for transport damage. If you find any damages after delivery proceed as follows:

- contact the transporter
- have a list made of any problems
- contact your supplier

5. Intended use

The seat shall be used by 1 person.
The seat shall be used indoor, in a bathtub

Is your bathtub too small for a conventional tub / shower safety / transfer seat? Then the swivel bath transfer seat is the solution. The seat is ideal for people who feel insecure to sit on a bath board. The swivel seat can be used for a bathtub with inner width of 560 until 660 mm.

The swivel bath transfer seat is a 360° turning bath seat that allows easy transfer over the bathboard. The seat can be locked into four 90 degree positions. The user sits on the seat from the side of the bath and then swivels over the bath for a wash or shower.

The construction of the seat allows full use by elderly people or during revalidation in home environment.

The seat shall not be used as toy for children. The seat should only be used on horizontal, non smooth surfaces of the bathtub board. The manufacturer is not liable for damage caused by the lack of or improper service or as a result of not following instructions from this manual.

6. Assembly/Dismantling

- ⚠ **CAUTION: Chance of pinching - Do not place fingers between the components of the seat.**
- ⚠ **CAUTION: Risk of clamping - Keep fingers, cloths, jewelry or items away from moving parts of the seat.**

The Paris seat is foreseen with removable arm supports, removable backrest and has a swivel seat that can be locked in four 90° positions.

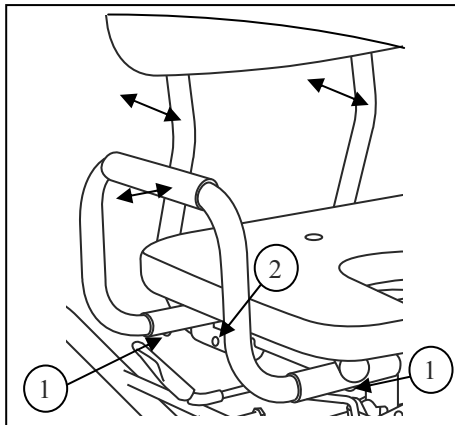


Fig 2. Mounting / removing arm supports and backrest

6.1. Removing arm supports

1. Push on the two pens ① located on the bottom side of the arm support tubes (just below the seat).
2. Pull on the arm support.

6.2. Mounting arm supports

1. Push the tubes of the arm supports in the tubes of the lower frame.
2. Check that the arm supports are well fixated. When you hear that the pens ① clicks in the holes, the arm supports are good fixated.

6.3. Removing backrest

1. Push on the two pens ② located on the outside of the backrest tubes (just below the backside of the seat).
2. Pull the backrest backwards.

6.4. Mounting backrest

1. Push the tubes of the backrest in the tubes of the lower frame.
2. Check that the backrest is well fixated. When you hear that the pens ② clicks in the holes the backrest is well fixated.

7. Use of the swivel seat

The swivel bath transfer seat is ideal for usage in a bathtub. The specially designed rubbers at the end of each attachment leg will create a safe stability for the seat and avoid the sliding over the bath board.

The seat can be mounted on the top of the bathtub and can be easily removed when not in use. So other persons can use the bath.

7.1. Mounting the swivel seat to the bathtub:

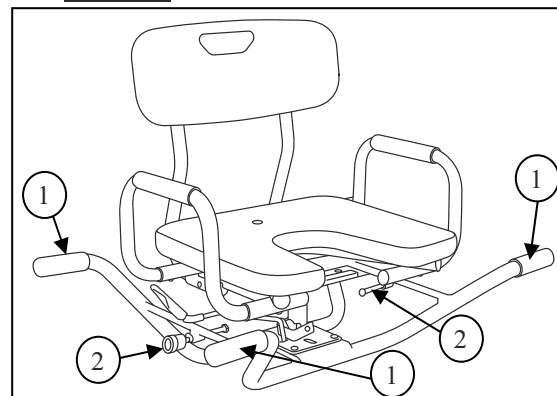


Fig 3. Mounting / removing swivel seat to the bath

- ⚠ **CAUTION: Risk of injury - Check that the seat is properly fixed in the bathtub with the positioning screws.**
- ⚠ **CAUTION: Risk of injury - Check that at least 30 mm of each attachment leg rest securely on each side of the bath.**

1. Place the swivel seat with the four attachment legs ① on the board of the bathtub.
2. Turn the positioning screws ② on both sides against the bath.
3. Turn the wing screw against the lower frame.
4. Check that the swivel chair is properly fixated to the bath.



7.2. Removing the swivel seat from the bathtub:

1. Loosen the wing screw.
2. Loosen the positioning screws ② from the bath.
3. Take the swivel seat out the bath.

7.3. Turning the swivel seat:

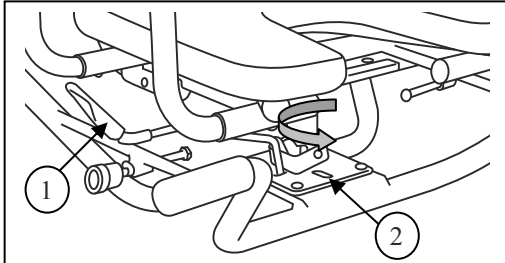


Fig 4. Turning the swivel seat

⚠ CAUTION: Risk of injury - Check that the seat is properly locked after turning.

Let someone assist you for a smoothly, safely turning of the swivel bath transfer seat.

1. Pull up swivel lever ①. The lever comes out the locking hole ②.
2. Lift up the legs of the patient when turning to the washing position.
3. Turn the seat to the desired position. The seat can be locked in four 90° positions by placing the lever in one of the four locking holes ②.
Desired positions:
 - **Patient position for washing:** place seat parallel with lower frame
 - **Patient position for transfer to/from swivel seat:** place seat perpendicular with lower frame
4. Lock the seat by placing the swivel lever ① in the correct locking hole ②.
5. Check that the seat is properly locked.

7.4. Transfer to/from swivel seat:

⚠ CAUTION: Risk of injury - Be careful that you not slip out on the bathroom floor.

For people who can walk:

1. Walk to the swivel seat.
2. Turn the swivel seat in a good position, it must be easy to transfer to the seat. (seat perpendicular with the lower frame)
3. Place yourself in the seat. For extra support you can grasp the arm supports. **Be careful that you not slip out on the floor.**
4. Turn the swivel seat to the washing position.

For persons who has not the walking ability:

1. Let someone assist you to transfer to / from the swivel seat.
2. Turn the seat in the good position. (seat perpendicular with the lower frame).
3. Lift the patient in the swivel seat. For extra support the patient can grasp the arm supports.
4. Turn the swivel seat to the washing position.

When the swivel seat is placed too high for performing the transfer on a safe manner, you can make use of a step stool/bench.

8. Carrying the swivel seat

The best way to carrying the swivel seat is to grasp the seat on the handgrip of the backrest.

9. Safety instructions

- **Do not exceed the maximum user weight. The maximum user weight for your seat is 130 kg.**
- Use the swivel seat on horizontal, non-smooth surfaces of the bathtub board.
- Keep it away from children. The swivel seat shall not be used as a toy.
- When it is used by, on or near children, invalids or disabled persons close supervision is necessary.
- Risk of burns – Be careful when using in extreme hot or cold environments for a sufficient amount of time and when touching.
- Do not place fingers between components of the swivel seat.
- Keep fingers, cloths, jewelry or items away from moving parts of the swivel seat.
- Check that the seat is properly locked after turning.
- Check that the seat is properly fixed in the bathtub with the positioning screws.
- Check that at least 30 mm of each attachment leg rest securely on each side of the bath.
- Do not use the swivel seat when it is not working properly.
- Only Vermeiren approved accessories are allowed.
- Take note of the instructions for care and service. The manufacturer is not liable for damage caused by improper servicing/care.



10. Care

It is recommended to use a soapy solution for cleaning. The cleaning liquid should in any case have a pH value of at least 6. Do not use a cleaning agent which contains solvents. Observe the instructions of the cleaning liquid used. Use a damp cloth and lukewarm water for cleaning. Avoid soaking. Do not use metal brushes or any other sharp-edged or pointed cleaning utensils. In the case of damage to the varnish consult your specialist dealer.

Regular care would ensure that your swivel seat is preserved in a perfectly functional condition.

Clean plastic parts of your swivel seat with commercial plastic cleaners. Only use a soft brush or soft sponge. Examples of plastic parts are the seat and backrest.

11. Disinfection

For sterilisation use only disinfectants suitable for treating varnished metal and plastic surfaces. Observe the instructions of the cleaning liquid used. Use only proved processes (for scrubbing disinfection) and disinfectants included in the list of the Robert Koch Institute (information can be obtained from: www.rki.de). Disinfections may only be undertaken by trained persons. Consult your specialist dealer.

12. Repairs / Service / Inspection

Lifetime of the swivel seat is influenced by its use, storage, regular maintenance, servicing and cleaning.

You should use only genuine VERMEIREN replacement parts. Repairs and renovations may only be undertaken by trained persons. Make use of the services offered by your specialist dealer. He would gladly assist you further in regard to service and repairs.

Before you resume use of the seat, it should be serviced according to the following criteria:

- Completeness
- Working of swivel mechanism
- Positioning screws
- Frames (deformation, stability, connections)
- Cleaning
- **Damaged varnish (remove possible rust and repaint)**

Every 8 weeks:

- Lubricating (moving parts shall be greased)

Every 6 months or for every new user, it should be serviced according to the following criteria:

- General review

- Disinfection

13. Shipping and storage

The shipping and storage of the swivel bath transfer seat shall be according following instructions:

- Store in a dry place (between +5°C and +41°C).
- The relative humidity of the air should be between 30% and 70%.
- Provide sufficient covering or packaging to protect the product from rust and foreign bodies (e.g. salt water, sea air, sand, dust).
- The product must be stored without being subjected to strains. (Do not put too heavy parts on the product, not clamping between something, ...)

14. Warranty

Excerpt from the "General Business Conditions".

(...)

5. The guarantee period for warranty claims is 24 months.

(...)

The warranty excludes damage arising from structural changes to our products, insufficient maintenance, defective or improper handling or storage or the use of non-original parts.

Likewise, the warranty excludes parts or working parts subject to natural wear and tear.

15. Disposal

When disposing of the swivel seat, contact your local disposal centre or return the product to your specialist dealer who, after submitting it to a hygienic procedure, will be able to send it back to the manufacturer who will dispose of and recycle it correctly, separating it into its component materials.

Packaging materials can be taken to disposal or recycling centers or to your specialist dealer.

16. Declaration of conformity

The manufacturer or his authorized representative :

N.V. VERMEIREN N.V.

Address :

Vermeirenplein 1/15

2920 Kalmthout

Belgium

declares under his sole responsibility that the CE marked medical devices :

Productgroup: Aids: Swivel bath transfer seat

Brand: Vermeiren

Type: Paris

have been classified as class I, according to annex IX MDD 93/42/EEC, rule 1,

and is manufactured in full conformity with the European instructions below - including the latest modifications - and with the national law, that organizes this directions :

Medical devices directive MDD 93/42/EEC: 2007

and is in conformity with the relevant European harmonized standards:

EN 12182: 1999

MANUEL D'INSTRUCTION

Chaise pivotante pour le transfert

dans le bain « Paris »

1. Caractéristiques techniques

⚠ AVERTISSEMENT : Risque de limitations dangereuses - N'utiliser que les limitations décrites dans ce manual.

Marque	Vermeiren
Adresse	Vermeirenplein 1 / 15 B-2920 Kalmthout
Type	Chaise pivotante pour le transfert dans le bain
Modèle	Paris
Largeur	515 mm
Longueur	721 mm
Hauteur	560 mm
Hauteur démontée (sans le dossier et les accoudoirs)	235 mm
Largeur d'assise	410 mm
Profondeur d'assise	370 mm
Hauteur du dossier	325 mm
Largeur intérieure de la baignoire	560 - 660 mm
Poids total	6,65 kg
Poids de la structure	5,55 kg
Poids des accoudoirs	0,50 kg
Poids du dossier	0,65 kg
Poids des patients	max. 130 kg
Température de stockage	+5°C - +41°C
Nous nous réservons le droit d'apporter des modifications. Tolérance de mesure +/- 15 mm / 1,5 kg	

Nous tenons tout d'abord à vous remercier pour la confiance que vous nous accordez en optant pour un produit **VERMEIREN**.

Avant d'utiliser la chaise, lisez attentivement le mode d'emploi; il vous permettra de vous familiariser avec la manipulation de ce produit.

Il contient également des instructions sur l'entretien de votre chaise. N'oubliez pas que le respect de nos instructions vous permettra de conserver votre chaise en parfait état de conservation et de fonctionnement, même après des années d'utilisation.

Si vous avez encore des questions, veuillez vous adresser à votre revendeur. Pour trouver un service d'entretien ou un revendeur spécialisé près de chez vous, contactez l'établissement Vermeiren le plus proche. Vous trouverez une liste des usines Vermeiren à la dernière page.

Les personnes souffrant de problèmes visuels peuvent prendre contact avec le commerçant pour les instructions d'utilisation.

2. Composants

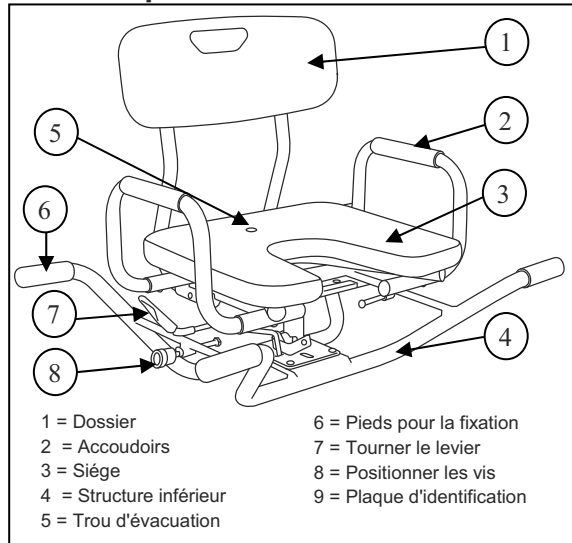


Illustration 1 Éléments de la chaise pivotante

3. Explication des symboles



Poids maximum



Usage intérieur



Conformité CE



Lire le mode d'emploi avant l'utilisation.



Respecter les instructions de sécurité.

4. Contrôle lors de la réception

Déballer le produit et contrôlez si la livraison est complète. Se trouvent dans le paquet:

- La chaise pivotante pour le transfert dans le bain
- Les accoudoirs
- Le dossier
- Mode d'emploi

Vérifiez bien que le colis n'ait pas subi de dégâts pendant le transport. Si vous constatez que ce produit ou le colis présente, contre toute attente, des défauts, procédez comme suit:

- Déposez immédiatement une déclaration auprès du transporteur;
- Faites enregistrer les dégâts;
- Informez votre revendeur immédiatement.

5. Utilisation

La chaise peut être utilisée pour une personne.

La chaise peut uniquement être utilisée à l'intérieur, dans une baignoire.

Votre baignoire est trop étroite pour une chaise de transfert dans une baignoire standard/une douche de sécurité ?

Alors, la chaise de transfert pivotante est la solution. La chaise est idéale pour les personnes qui se sentent peu sûres pour s'asseoir sur le bord de la baignoire. La chaise pivotante peut être utilisée pour une baignoire avec une largeur intérieure allant de 560 à 660 mm.

La chaise pivotante de transfert pour la baignoire est une chaise pivotante sur 360° qui permet un transfert aisé au-dessus du bord de la baignoire. La chaise peut être bloquée dans quatre positions à 90°.

L'utilisateur se trouve sur la chaise sur le côté de la baignoire et se tourne au-dessus de la baignoire pour se laver ou prendre sa douche.

Grâce à sa structure, la chaise offre différentes possibilités d'adaptation pour les patients en gériatrie ou les patients en cours de revalidation dans un environnement domestique.

La chaise ne peut pas être utilisée comme jouets pour les enfants.

La chaise peut seulement être utilisée sur des surfaces horizontales et lisses du bord de la baignoire.

Vermeiren n'est pas responsable pour les dégâts en raison d'un entretien défectueux ou insuffisant ou en conséquence du non-respect des instructions de ce manuel.

6. Montage/Démontage

⚠ ATTENTION : Risque de coincement - N'insérez pas vos doigts entre les parties de la chaise.

⚠ ATTENTION : Risque de coincement - Ne placez pas vos doigts, vos vêtements, vos bijoux ou d'autres éléments à proximité des parties mobiles de la chaise.

La chaise Paris est pourvue d'accoudoirs amovibles, d'un dossier amovible et d'un siège pivotant qui peut être bloqué dans quatre positions à 90°.

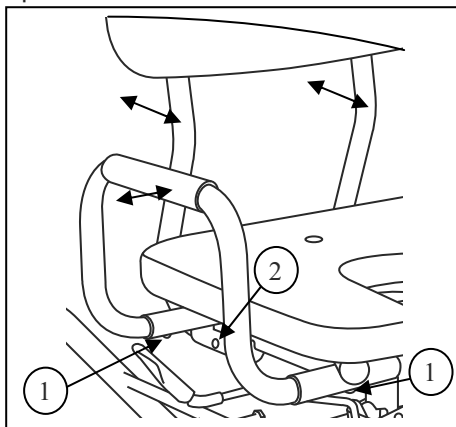


Illustration 2 Montage/démontage des accoudoirs et du dossier

6.1. Démontage des accoudoirs

1. Appuyez sur les deux broches ① positionnées au bas des conduites des accoudoirs (juste en dessous du siège).
2. Tirez sur l'accoudoir.

6.2. Montez les accoudoirs

1. Poussez les conduites des accoudoirs dans les conduites de la structure inférieure.
2. Contrôlez que les accoudoirs sont à nouveau bien fixés. Si vous entendez que les broches ① font un déclic dans les trous, cela veut dire que les accoudoirs sont alors bien fixés.

6.3. Démontage du dossier

1. Appuyez sur les deux broches ② positionnées sur la partie externe des conduites du dossier (juste en dessous de la partie arrière du siège).
2. Tirez le dossier vers l'arrière.

6.4. Montage du dossier

1. Poussez les conduites du dossier dans les conduites de la structure inférieure.
2. Contrôlez que le dossier est à nouveau bien fixé. Si vous entendez que les broches ② font un déclic dans les trous, cela veut dire que le dossier est bien fixé.

7. Utilisation du siège pivotant

Le siège pivotant de transfert pour le bain est idéal pour une utilisation dans une baignoire. Les extrémités en caoutchouc spécialement conçues qui se trouvent sur chaque pied de fixation confèrent une stabilité sécurisée au siège et évitent à celui-ci de glisser sur le bord de la baignoire.

Le siège peut être placé sur la partie supérieure de la baignoire et peut facilement être enlevé lorsqu'il n'est pas utilisé. Alors, d'autres personnes peuvent utiliser la baignoire.

7.1. Montage du siège pivotant dans la baignoire :

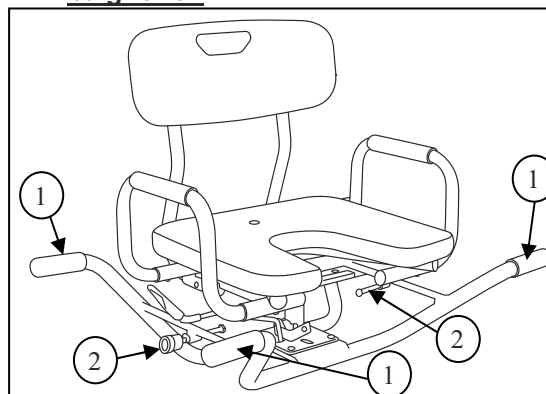


Illustration 3 Montage/enlèvement du siège pivotant dans la baignoire :

⚠ ATTENTION : Risque de lésion - Contrôlez que le siège pivotant est bien fixé à la baignoire à l'aide des vis de positionnement.

⚠ ATTENTION : Risque de lésion - Contrôlez qu'au moins 30 mm de chaque pied de fixation se trouvent en toute sécurité sur le côté de la baignoire.

1. Placez le siège pivotant avec les quatre pieds de fixation ① sur le bord de la baignoire.
2. Tournez les vis de positionnement ② des deux côtés contre la baignoire.
3. Tournez la vis à papillon contre la partie inférieure du siège.
4. Contrôlez que le siège pivotant est bien fixé dans la baignoire.

7.2. Démontage du siège pivotant de la baignoire :

1. Détachez la vis à papillon.
2. Détachez les vis de positionnement ② de la baignoire.
3. Enlevez le siège amovible de la baignoire.

7.3. Tourner le siège pivotant :

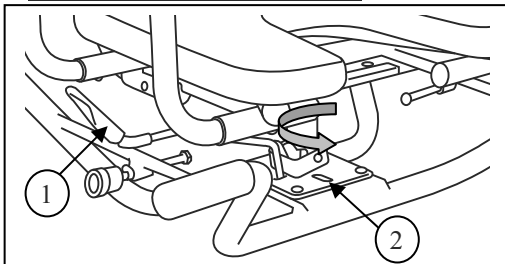


Illustration 4 Tourner le siège pivotant

⚠ ATTENTION : Risque de lésion - Contrôlez que le siège est à nouveau bien bloqué après le mouvement de rotation.

Faites-vous aider par quelqu'un pour un mouvement de rotation aisé et sécurisé du siège pivotant pour le transfert dans la baignoire.

1. Tirez le levier rotatif ① vers le dessus. Le levier sort du trou de blocage ②.
2. Soulevez les jambes du patient lorsque vous tournez le patient en position pour le bain.
3. Tournez le siège dans la position souhaitée. Le siège peut être bloqué dans quatre positions à 90° en plaçant le levier rotatif dans l'un des quatre trous de blocage ②.

Positions souhaitées :

- **Position du patient pour le laver** : placez le siège avec la structure inférieure.

- **Position du patient pour le transfert de/vers le siège rotatif** : placez le siège sur la structure inférieure

4. Bloquez le siège en plaçant le levier rotatif ① dans le bon trou de blocage ②.
5. Contrôlez que le dossier est à nouveau bien fixé.

7.4. Transfert de/vers le siège rotatif :

⚠ ATTENTION : Risque de lésion - Faites attention à ne pas glisser sur le sol de la salle de bains.

Pour les personnes qui peuvent encore marcher :

1. Déplacez-vous vers le siège rotatif.
2. Tournez le siège rotatif dans la bonne position, il doit être facile de réaliser le transfert vers le siège. (se trouve sur la structure inférieure)
3. Installez-vous sur la chaise. Vous pouvez saisir les accoudoirs pour une assistance supplémentaire. **Veillez à ne pas glisser sur le sol.**
4. Faites pivoter le siège pivotant dans la position pour vous laver.

Pour les personnes qui n'ont plus la possibilité de marcher :

1. Demandez à quelqu'un de vous aider pour réaliser le transfert de/vers le siège pivotant.
2. Tournez le siège dans la position souhaitée. (se trouve sur la structure inférieure)
3. Soulevez le patient en direction du siège rotatif. Vous pouvez saisir les accoudoirs pour une assistance supplémentaire.
4. Faites pivoter le siège pivotant dans la position pour vous laver.

Lorsque le siège rotatif est placé trop haut pour effectuer le transfert en toute sécurité, vous pouvez utiliser un banc.

8. Porter le siège rotatif

La meilleure manière de porter le siège rotatif est d'agripper le siège à la poignée du dossier.

9. Consignes de sécurité

- **Ne dépassez pas le poids maxi supporté de 130 kg.**
- Utilisez le siège rotatif sur une surface horizontale et non lisse du bord de la baignoire.
- Gardez le à distance des enfants. Le siège rotatif ne peut pas être utilisée comme jouets pour les enfants.
- Quand le siège est utilisé par des enfant ou à proximité enfants, une surveillance est nécessaire.
- Risque de brûlures – Soyez prudents lorsque vous conduisez dans des environnements chauds ou froids de disposer d'assez de temps et lors des contacts.
- Laissez les doigts à l'écart des pièces du siège rotatif.
- Gardez vos doigt, bijoux, vêtement à l'écart des pièces amovibles du siège rotatif.
- Contrôlez que le siège est à nouveau bien bloqué après le mouvement de rotation.
- Contrôlez que le siège rotatif est à nouveau bien fixé dans la baignoire à l'aide des vis de positionnement.
- Risque de lésion - Contrôlez qu'au moins 30 mm de chaque pied de fixation se trouvent en toute sécurité sur le côté de la baignoire.
- N'utilisez pas le siège rotatif s'il ne fonctionne pas correctement.
- Utilisez uniquement des accessoires approuvés par Vermeiren.
- Suivez les instructions pour les soins et le contrôle. Le fabricant n'offre aucune garantie si le siège si celui-ci n'est pas utilisé conformément à sa destination et si les contrôles mentionnés dans le mode d'emploi n'ont pas été effectués.

10. Entretien

Pour le nettoyage, il est préférable d'utiliser une solution savonneuse. Dans tous les cas, le produit de nettoyage doit avoir un pH de 6 min. N'utilisez pas de produits de nettoyage contenant du dissolvant.

Suivez les instructions fournies avec le produit d'entretien. Pour le nettoyage, utilisez un chiffon humide et de l'eau tiède. Évitez de nettoyer à grandes eaux. N'utilisez pas de brosses métalliques ou autres ustensiles de nettoyage à arêtes vives ou pointus. S'il y a des dégâts sur la peinture, adressez-vous à votre revendeur.

Un entretien régulier permet de garder votre siège rotatif en parfait état.

Nettoyez les parties en plastique de votre siège rotatif à l'aide d'un produit nettoyant ordinaire pour le plastique. Utilisez uniquement une brosse douce ou une éponge douce. Des exemples d'éléments en plastique sont le dossier et l'assise.

11. Désinfection

Pour la désinfection, utilisez uniquement les produits désinfectants pour les métaux et les surfaces en plastique peints. Suivez les instructions fournies avec le produit d'entretien. La désinfection par brossage ne peut être effectuée qu'avec les solutions de produit désinfectant et les dilutions d'utilisation reprises dans les recommandations du Robert-Koch Institut (www.rki.de). La désinfection ne peut être effectuée que par un spécialiste en hygiène ou par une personne formée par un tel spécialiste. Contactez le commerçant.

12. Réparation / entretien / inspection

La durée de vie prévue du siège rotatif est influencée par l'utilisation, le stockage, l'entretien et le nettoyage réguliers.

Utilisez uniquement des pièces d'origine VERMEIREN. Les réparations et les dépannages ne peuvent être effectués que par un personnel formé à cet effet. Utilisez le service après-vente de votre revendeur. Il vous aidera volontiers lors de l'entretien et de la réparation.

Avant tout déplacement, votre siège doit faire l'objet d'une inspection. Les critères suivants sont contrôlés à cette occasion:

- Complétude
- Fonctionnement du mécanisme de rotation
- Vis de positionnement
- Cadre (déformation, stabilité statique, fixations par vis)
- Nettoyage
- **Dégâts sur la peinture (éliminer les points de rouille et retoucher la peinture)**

Toutes les 8 semaines :

- Graissage (les liaisons mobiles doivent être graissées)

Tout les 6 mois ou pour tout nouvel utilisateur les points suivants doivent être respectés:

- Contrôle général
- Désinfection

13. Emballage et stockage

Pour emballer ou conserver le siège pivotant pour le transfert vers la baignoire, il faut suivre les instructions suivantes :

- Stocker uniquement dans des endroits secs (entre +5°C et +41°C).
- L'humidité relative de l'air de 30% à 70%.
- Le protéger grâce à un recouvrement ou un emballage suffisant contre la rouille et l'infiltration d'objets étrangers (par exemple : de l'eau salée, de l'air marin, du sablon, des poussières) Protéger grâce à une couverture suffisante ou un emballage suffisant contre la rouille et l'infiltration d'objets étrangers (par exemple : de l'eau salée, de l'air marin, du sable, des poussières).
- Tous les composants doivent être conservés sans la moindre charge. (ne pas placer d'objets trop lourds sur le siège, ne rien insérait entre les éléments...)

14. Garantie

Extrait des conditions générales de vente :
(...)

5. La durée de garantie est de 24 mois.

(...)

Nous déclinons toute responsabilité au titre de dommages résultant de modifications de nos produits, du manque d'entretien, d'une manipulation ou d'une conservation inappropriées ou de l'utilisation de pièces de rechange autres que des pièces d'origine.

La garantie sur les pièces d'usure ou sur des éléments sujets à une usure naturelle est également exclue.

15. Recyclage

Lors de la mise au rebut du siège rotatif, contactez votre centre de collecte local ou retournez le produit à votre distributeur. Après un nettoyage hygiénique, celui-ci peut renvoyer le siège au fabricant. Le fabricant peut se charger d'un traitement professionnel et d'une réutilisation (différente en fonction de la matière première).

Les matériaux d'emballage peuvent être rendus auprès des lieux de transformation concernés et des établissements de recyclage ou auprès de votre commerçant.

16. Déclaration de conformité

Le fabricant ou son mandataire :

N.V. VERMEIREN N.V

Adresse :

Vermeirenplein 1/15
2920 Kalmthout
Belgique

déclare sous sa propre responsabilité, que les dispositifs médicaux avec marquage CE :

Produit groupe:	Accessoires: Chaise pivotante pour le transfert dans le bain
Marque:	Vermeiren
Type:	Paris

sont classés dans la classe I, suivant l'annexe IX 93/42/CEE, règle 1,

et ont été fabriqués en complète concordance avec les directives sous-mentionnées -y compris les dernières modifications- et avec la loi nationale qui organise ces directives :

Dispositifs médicaux directive 93/42/CEE: 2007

et sont conforme aux normes harmonisées européennes relevantes :

EN 12182: 1999

Instructie handleiding

Draaibare bad transfer stoel

"Paris"

1. Technische gegevens

⚠ WAARSCHUWING: Risico bij onveilige instellingen - Gebruik enkel de instellingen beschreven in deze handleiding.

Merk	Vermeiren
Adres	Vermeirenplein 1 / 15 B-2920 Kalmthout
Type	Draaibare bad transfer stoel
Model	Paris
Breedte	515 mm
Lengte	721 mm
Hoogte	560 mm
Gedemonteerde hoogte (Rugsteun, armsteunen verwijderd)	235 mm
Zitbreedte	410 mm
Zitdiepte	370 mm
Rughoogte	325 mm
Inwendige breedte badkuip	560 - 660 mm
Totaal gewicht	6,65 kg
Gewicht frame	5,55 kg
Gewicht armsteunen	0,50 kg
Gewicht rugsteun	0,65 kg
Patiënten gewicht	max. 130 kg
Opslag temperatuur	+5°C - +41°C
We behouden ons het recht voor om technische wijzigingen te introduceren. Meettolerantie, +/- 15 mm / 1,5 kg	

We willen U danken voor het vertrouwen dat U in de producten van **VERMEIREN** stelt.

Voor U de zit gebruikt, dient U de handleiding aandachtig te lezen zodat U vertrouwd raakt met het product.

Daarnaast bevat deze handleiding tips voor het verzorgen en onderhouden van de zit. Hou er rekening mee dat bij het naleven van onze adviezen Uw product ook na jaren gebruik nog in perfecte staat is en perfect functioneert.

Als U nog vragen hebt, neemt U best contact op met Uw vakhandelaar.

Om een servicepunt of vakhandelaar in Uw buurt te vinden, neemt U contact op met de dichtstbijzijnde Vermeiren faciliteit. Een lijst van de Vermeiren faciliteiten zijn terug te vinden op de laatste bladzijde.

Mensen met een visuele beperking kunnen contact opnemen met de vakhandelaar voor de gebruikersinstructies.

2. Onderdelen

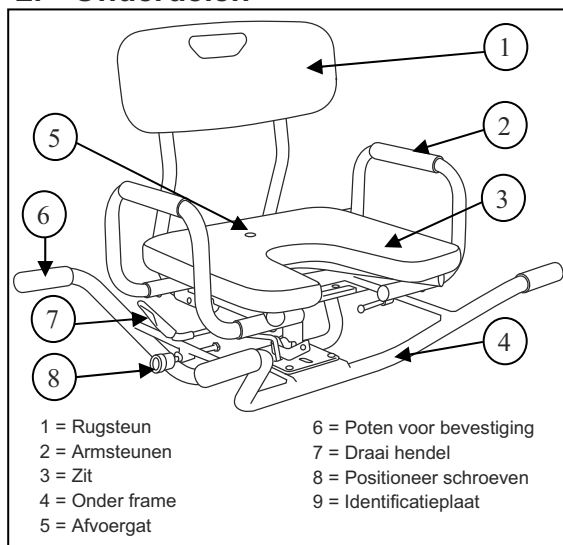


Fig 1. Onderdelen draaibare stoel

3. Verklaring van de symbolen



Maximum gewicht



Gebruik voor binnen



CE conformiteit



Voor gebruik de handleiding lezen.



Veiligheidsinstructies respecteren

4. Controle bij ontvangst

Pak het product uit en controleer of de levering volledig is. In het pakket zitten:

- Draaibare bad transfer stoel
- Armsteunen
- Rugsteun
- Handleiding

Controleer de zending zorgvuldig op transportschade. Wanneer U vaststelt dat het product na de zending toch een defect vertoont, moet U het volgende doen:

- Neem contact op met de transporteur.
- Laat een verslag opmaken van de schade
- Neem direct contact op met de vakhandelaar

5. Gebruik

De zit kan gebruikt worden voor 1 persoon. De zit kan enkel binnenshuis gebruikt worden, in een badkuip.

Is uw badkuip te smal voor een standaard bad / douche veiligheid / transfer zit? Dan is de draaibare transfer zit de oplossing. De zit is ideaal voor personen die zich te onzeker voelen om op een bad rand te gaan zitten. De draaistoel kan worden gebruikt voor een badkuip met een inwendige breedte van 560 tot 660 mm.

De draaibare bad transfer zit is een 360° draaibare zit dat een gemakkelijke transfer over de bad rand toelaat. De zit kan in vier 90° posities worden geblokkeerd. De gebruiker zit op de stoel aan de zijkant van het bad en draait over het bad om zich te wassen of te douchen.

De zit biedt door zijn opbouw verschillende aanpassingsmogelijkheden voor geriatrische patiënten of patiënten tijdens het revalideren in een huiselijke omgeving.

De zit mag niet gebruikt worden als speelgoed voor kinderen.

De zit mag alleen worden gebruikt op horizontale, gladde oppervlakken van de badkuip rand.

Vermeiren is niet aansprakelijk voor schade door gebrekkig of onvoldoende onderhoud of als gevolg van het niet naleven van instructies van deze handleiding.

6. Montage/Demontage

⚠ VOORZICHTIG: Kans op klemmen - Hou Uw vingers niet tussen de onderdelen van de zit.

⚠ VOORZICHTIG: Risico op klemmen - Hou uw vingers, kledij, juwelen of andere onderdelen uit de buurt van de bewegende onderdelen van de zit.

De Paris zit is voorzien met verwijderbare armsteunen, verwijderbare rugsteun en een draaibare zit dat in vier 90° posities kan worden geblokkeerd.

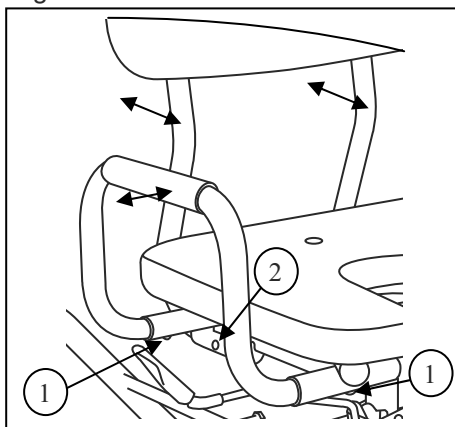


Fig 2. Monteren / verwijderen armsteunen en rugsteun

6.1. Verwijderen armsteunen

1. Duw op de 2 pennen ① gepositioneerd aan de onderkant van de buizen van de armsteunen (juist onder de zit).
2. Trek aan de armsteun.

6.2. Monteren armsteunen

1. Duw de buizen van de armsteunen in de buizen van het onder frame.

2. Controleer dat de armsteunen terug goed zijn vastgemaakt. Als U hoort dat de pennen ① in de gaten klikken, dan zijn de armsteunen goed gefixeerd.

6.3. Verwijderen rugsteun

1. Duw op de 2 pennen ② gepositioneerd aan de buitenkant van de buizen van de rugsteun (juist onder het achterste deel van de zit).
2. Trek de rugsteun naar achteren.

6.4. Monteren rugsteun

1. Duw de buizen van de rugsteun in de buizen van het onder frame.
2. Controleer dat de rugsteun terug goed is vastgemaakt. Als U hoort dat de pennen ② in de gaten klikken, dan is de rugsteun goed gefixeerd.

7. Gebruik van de draaibare zit

De draaibare bad transfer zit is ideaal voor het gebruik in een badkuip. De speciaal ontworpen rubberen uiteinden aan elke bevestigingspoot geeft een veilige stabiliteit voor de zit en vermijd het wegglijden over de bad rand.

De zit kan worden geplaatst aan de bovenkant van de badkuip en kan gemakkelijk terug verwijderd worden wanneer niet in gebruik. Dan kunnen andere personen ook van het bad gebruik maken.

7.1. Monteren van de draaibare zit in de badkuip:

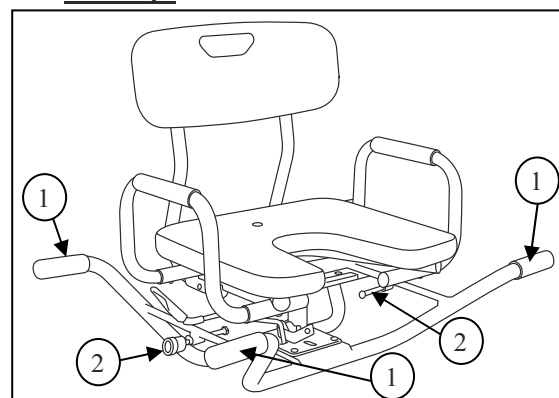


Fig 3. Monteren / verwijderen van de draaibare zit in de badkuip:

⚠ VOORZICHTIG: Risico op letsel - Controleer dat de draaibare zit goed is vast gemaakt in de badkuip met behulp van de positioneer schroeven.

⚠ VOORZICHTIG: Risico op letsel - Controleer dat ten minste 30 mm van elke bevestigingspoot veilig op de zijkant van het bad ligt.

1. Plaats de draaibare zit met de vier bevestigingspoten ① aan de rand van de badkuip.
2. Draai de positioneer schroeven ② aan beide kanten tegen het bad.
3. Draai de vleugelschroef tegen het onderframe van de zit.
4. Controleer dat de draaibare zit goed is vastgemaakt in het bad.

7.2. Verwijderen van de draaibare zit uit de badkuip:

1. Maak de vleugelschroef los.
2. Maak de positioneer schroeven ② los van het bad.
3. Neem de draaibare zit uit het bad.

7.3. Draaien van de draaibare zit:

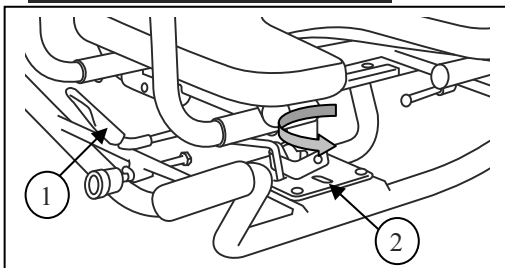


Fig 4. Draaien van de draaibare zit

⚠ VOORZICHTIG: Risico op letsel - Controleer dat de zit terug goed is geblokkeerd na de draaibeweging.

Laat iemand U helpen voor een vlotte, veilige draaibeweging van de draaibare bad transfer zit.

1. Trek de draai hendel ① naar boven. De hendel komt uit de blokkeer boring ②.
2. Til de benen van de patiënt naar boven wanneer U de patiënt naar de positie voor het wassen draait.
3. Draai de zit naar de gewenste positie. De zit kan worden geblokkeerd in vier 90° posities door de draai hendel in één van de vier blokkeer boringen ② te plaatsen.
Gewenste posities:
 - **Patiënt positie om te wassen:** plaats de zit met het onderframe
 - **Patiënt positie voor de transfer van/naar de draaibare stoel:** plaats de zit loodrecht op het onderframe
4. Blokkeer de zit door de draaihendel ① in de juiste blokkeer boring ② te plaatsen.
5. Controleer dat de zit terug goed is vastgemaakt.

7.4. Transfer van/naar de draaibare zit:

⚠ VOORZICHTIG: Risico op letsel - Let op dat U niet uitglijdt op de vloer van de badkamer.

Voor personen die nog kunnen lopen:

1. Wandel naar de draaibare zit.
2. Draai de draaibare zit in de juiste positie, het moet gemakkelijk zijn om de transfer naar de zit uit te voeren. (zit loodrecht op het onder frame)
3. Plaats Uwzelf in de stoel. U kan de armsteunen vastnemen voor een extra ondersteuning. **Let op dat U niet uitglijdt op de vloer.**
4. Draai de draaibare zit naar de positie om te wassen.

Voor personen die niet meer de mogelijkheid hebben om te lopen:

1. Laat iemand Uw helpen om de transfer van/naar de draaibare zit uit te voeren.
2. Draai de zit naar de gewenste positie. (zit loodrecht op het onder frame)
3. Hef de patiënt naar de draaibare zit. U kan de armsteunen vastnemen voor een extra ondersteuning.
4. Draai de draaibare zit naar de positie om te wassen.

Wanneer de draaibare zit te hoog is geplaatst om op een veilige manier de transfer uit te voeren, kan U gebruik maken van een opstapbankje.

8. Dragen van de draaibare zit

De beste manier om de draaibare zit te dragen is door de zit vast te nemen aan de handgreep van de rugsteun.

9. Veiligheidsinstructies

- **Gebruik niet meer dan de toelaatbare belasting. De toelaatbare belasting voor Uw zit bedraagt 130 kg.**
- Gebruik de draaibare zit op een horizontale, niet glad oppervlak van de badkuip rand.
- Hou de zit weg van kinderen. De draaibare zit mag niet gebruikt worden als speelgoed voor kinderen.
- Wanneer het gebruikt wordt bij, op of vlakbij kinderen, gehandicapten, of mindervaliden dan is een goed toezicht noodzakelijk.
- Gevaar voor brandwonden – Wees voorzichtig bij het rijden in extreem warme of koude omgevingen voor een bepaalde tijd en bij het aanraken.
- Hou Uw vingers niet tussen de onderdelen van de draaibare zit.

- Hou uw vingers, kledij, juwelen of andere onderdelen uit de buurt van de bewegende onderdelen van de draaibare zit.
- Controleer dat de zit terug goed is geblokkeerd na de draaibeweging.
- Controleer dat de draaibare zit goed is vast gemaakt in de badkuip met behulp van de positioneer schroeven.
- Risico op letsel - Controleer dat ten minste 30 mm van elke bevestigingspoot veilig op de zijkant van het bad ligt.
- Gebruik de draaibare zit niet als deze niet correct werkt.
- Gebruik enkel door Vermeiren goedgekeurde accessoires.
- Volg de instructies voor verzorging en controles. De fabrikant is niet aansprakelijk voor schade die werd veroorzaakt door niet juiste controles / verzorging.

10. Verzorging

Voor het reinigen gebruikt U best een zeepoplossing. Het reinigingsmiddel moet in ieder geval een pH-waarde van min. 6 hebben. Gebruik geen reinigingsmiddelen op basis van oplosmiddelen.

Volg de aanwijzingen op de betreffende verzorgingsmiddelen. Voor het reinigen gebruikt U een vochtige doek en lauw water. Maak het product niet te nat. Gebruik geen metaalborstels of andere scherpe reinigingsmiddelen. Bij schade aan de lak dient U contact op te nemen met de vakhandelaar.

Door een regelmatig onderhoud blijft de draaibare zit perfect functioneren.

Reinig de kunststofonderdelen van uw draaibare zit met een gangbaar reinigingsmiddel voor kunststof. Gebruik enkel een zachte borstel of zachte spons. Voorbeelden van kunststofonderdelen zijn de zit en rugsteun.

11. Desinfecteren

Voor het desinfecteren gebruik alleen desinfectiemiddelen voor geschilderde metalen en kunststofoppervlakken. Volg de aanwijzingen op de betreffende verzorgingsmiddelen. De schuurdesinfectie mag alleen worden gebruikt met de desinfectieoplossingen en de gebruiksverduunningen die zijn aanbevolen door het Robert-Koch-Instituut (www.rki.de). De desinfectie mag alleen door een geschoolde sanitaire medewerker of een door hem/haar opgeleide persoon worden uitgevoerd. Neem contact op met de vakhandelaar.

12. Reparatie / Onderhoud / Inspectie

De verwachte levensduur van de draaibare zit wordt beïnvloed door het gebruik, opslag, regelmatig onderhoud en schoonmaak.

Gebruik alleen originele onderdelen van VERMEIREN. Reparaties mogen alleen door speciaal opgeleid personeel worden uitgevoerd. Maak gebruik van de services van de vakhandelaar. Hij helpt U graag bij het onderhouden en repareren van onze producten.

Voor elk gebruik moet Uw zit worden geïnspecteerd. Hierbij moeten de volgende punten worden gecontroleerd:

- Volledigheid
- Werking van het draaimechanisme
- Positioneerschroeven
- Frame (vervorming, stabiliteit, bevestigingen)
- Schoonmaken
- **Lakschade (eventuele roestplekken verwijderen en met lak behandelen)**

Om de 8 weken:

- Smering (bewegende verbindingen moeten zijn ingevet)

Elke 6 maanden of voor elke nieuwe gebruiker moeten volgende punten geïnspecteerd worden:

- Algemeen nazicht
- Desinfecteren

13. Verpakking en opslag

Om de draaibare bad transfer zit te verpakken of te bewaren dienen volgende instructies te worden gevolgd:

- Alleen in een droge ruimte opslagen (tussen +5°C en +41°C).
- De relatieve luchtvochtigheid van 30% tot 70%.
- Beschermen door voldoende afdekking of verpakking tegen roest en binnendringen van vreemde voorwerpen (bijv. zout water, zeelucht, zand, stof)
- Alle componenten moeten onbelast worden bewaard. (geen te zware voorwerpen op de stoel onderdelen leggen, nergens tussen klemmen, ...)

14. Garantie

Uittreksel uit de "Algemene bedrijfsvoorwaarden":

(...)

5. De garantieperiode voor garantieclaims is 24 maanden.

(...)

Wij zijn niet aansprakelijk voor schade die ontstaat door constructieve wijzigingen aan onze producten, gebrekkig onderhoud, gebrekkige of onoordeelkundige behandeling of bewaring of gebruik van niet-originele wisselstukken.

De garantie op slijtagedelen of onderdelen die onderhevig zijn aan een natuurlijke slijtage, is eveneens uitgesloten.

15. Afvalverwerking

Als U de draaibare zit wilt wegdoen, stelt U zich in verbinding met de plaatselijke verantwoordelijken of bezorgt U het product terug bij de vakhandel. Deze kan, na hygiënische reiniging, de zit aan de fabrikant terugsturen. De fabrikant kan voor vakkundige verwerking en hergebruik (gescheiden naar grondstof) zorg dragen.

Verpakkingsmateriaal kan bij de betreffende verwerkingsplaatsen en hergebruikinstellingen of bij Uw vakhandelaar afgegeven worden.

16. Verklaring overeenstemming van

De fabrikant of zijn gevolmachtigde vertegenwoordiger :

N.V. VERMEIREN N.V

Adres :

Vermeirenplein 1/15

2920 Kalmthout

België

verklaart geheel onder zijn eigen verantwoordelijkheid, dat de CE gemarkeerde medische hulpmiddelen :

Productgroep : Hulpmiddelen: Draaibare bad transfer stoel

Merk : Vermeiren

Type : Paris

zijn geklassificeerd als klasse I, volgens bijlage IX MDD 93/42/EEG, regel 1,

en vervaardigd zijn in volledige overeenstemming met de onderstaande Europese richtlijnen - inclusief de laatste wijzigingen - en met de nationale wet, die deze richtlijnen organiseert :

Medische hulpmiddelen richtlijn MDD 93/42/EEG: 2007

en in overeenstemming zijn met de relevante Europese geharmoniseerde normen :

EN 12182: 1999

GEBRAUCHSANWEISUNG

Badewannendrehsitz „Paris“

1. Technische Angaben

⚠️ WARNUNG: Nutzen Sie das Produkt nur gemäß den technischen Vor- und Angaben dieser Gebrauchsanweisung.

Hersteller	Vermeiren
Adresse	Vermeirenplein 1/15 B-2920 Kalmthout
Typ	Badewannendrehsitz
Modell	Paris
Breite	515 mm
Länge	721 mm
Höhe	560 mm
Höhe im zerlegten Zustand (Rückenstütze, Armauflagen entfernt)	235 mm
Sitzbreite	410 mm
Sitztiefe	370 mm
Rückenlehnenhöhe	325 mm
Innenbreite Badewanne	560 - 660 mm
Gesamtgewicht	6,65 kg
Gewicht des Rahmens	5,55 kg
Gewicht der Armauflagen	0,50 kg
Gewicht der Rückenstütze	0,65 kg
Tragfähigkeit	max. 130 kg
Temperaturbereich für Lagerung	+5°C - +41°C
Technische Änderungen vorbehalten. Maßtoleranz +/- 15 mm / 1,5 kg	

Zunächst möchten wir uns für das Vertrauen bedanken, das Sie in uns gesetzt haben, indem Sie sich für ein **VERMEIREN**-Produkt entschieden haben.

Lesen Sie vor dem Gebrauch des Sitz gründlich die Gebrauchsanweisung; sie soll Sie im Umgang mit diesem Produkt vertraut machen.

Außerdem enthält sie auch Hinweise zur Pflege und Wartung Ihres Sitz. Bitte bedenken Sie, dass die Beachtung unserer Hinweise Ihren Produkt auch nach Jahren des Gebrauchs in ausgezeichnetem Erhaltungszustand und einwandfreier Funktion bewahrt.

Sollten Sie weitere Fragen haben, wenden Sie sich bitte an Ihren Fachhändler. Wenden Sie sich an die nächste Vermeiren-Vertretung, um eine Serviceeinrichtung oder einen Fachhändler in Ihrer Nähe zu finden. Eine Liste der Vermeiren-Niederlassungen finden Sie auf der letzten Seite.

Sehbehinderte können sich zur Erläuterung der Bedienungsanleitung an den Händler wenden.

2. Bauteile

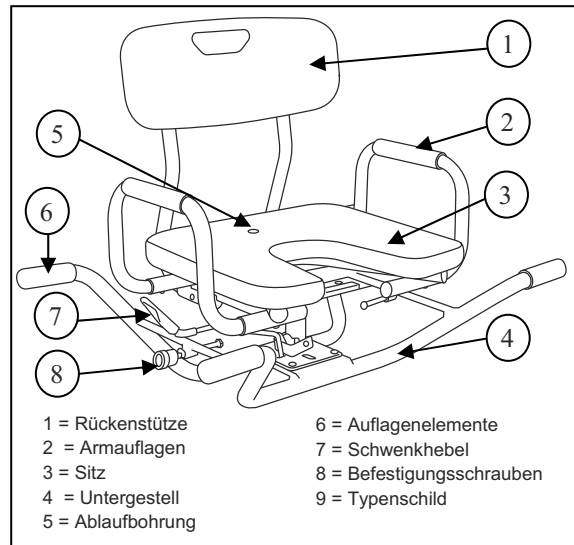


Abb. 1. Bauteile des Drehstuhls

3. Zeichenerklärung



Max. Gewicht



Innenbereich



CE-Konformität



Vor Gebrauch Gebrauchsanweisung lesen!



Sicherheitshinweise beachten!

4. Prüfungen nach der Lieferung

Packen Sie Ihr Produkt aus und überprüfen Sie, ob die Lieferung vollständig ist. Zum Lieferumfang gehören:

- Badewannendrehsitz
- Armauflagen
- Rückenstütze
- Handbuch

Prüfen Sie die Sendung sorgfältig auf Transportschäden. Sollten Sie feststellen, dass dieses Produkt oder die Sendung wider Erwarten einen Fehler aufweist, so verfahren Sie wie folgt:

- Wenden Sie sich an den Frachtführer.
- Lassen Sie den Schaden protokollieren,
- Informieren Sie Ihren Fachhändler unverzüglich.

5. Zweckbestimmung

Der Sitz darf nur von einer Person genutzt werden.

Der Sitz ist für die Verwendung im häuslichen Umfeld, in einer Badewanne vorgesehen.

Ist Ihre Badewanne zu klein für einen konventionellen Sicherheits-/Transportsitz? Dann ist dieser Badewannendrehstuhl die Lösung. Der Sitz eignet sich ideal für Menschen, die sich auf einem konventionellen geraden Badesitz unsicher fühlen. Der Badewannendrehstuhl kann in Badewannen mit Innenbreiten von 560 bis 660 mm verwendet werden.

Der Badewannendrehstuhl kann um 360 ° gedreht werden und erleichtert so den Ein- und Ausstieg über den Badewannenrand. Der Sitz kann schrittweise gedreht werden und lässt sich in vier 90-Grad-Positionen arretieren. Der Benutzer setzt sich von der Seite des Bades auf den Sitz und schwenkt dann über den Rand der Badewanne zum Waschen oder Duschen.

Der Drehstuhl eignet sich hervorragend für ältere Menschen oder während einer Rehabilitation in häuslicher Umgebung.

Der Sitz darf nicht als Spielzeug für Kinder verwendet werden.

Der Sitz darf nur auf horizontalen, nicht glatten Oberflächen des Badewannenrands verwendet werden.

Für Schäden durch nicht oder mangelhaft durchgeführte Wartung oder durch Nichtbeachtung der folgenden Anweisungen übernimmt der Hersteller keine Haftung.

6. Zusammenbau/Zerlegen

⚠ VORSICHT: Quetschgefahr – Achten Sie darauf, dass Ihre Finger nicht von den Bauteilen des Sitzes eingeklemmt werden.

⚠ VORSICHT: Klemmgefahr – Halten Sie Finger, Kleidungsstücke, Schmuck oder ähnliches fern von sich bewegenden Teilen des Sitzes.

Der Drehstuhl Paris ist mit abnehmbaren Armauflagen und einer abnehmbaren Rückenstütze ausgestattet. Der Drehstuhl lässt sich um 360 ° drehen und kann in vier 90 ° Positionen arretiert werden.

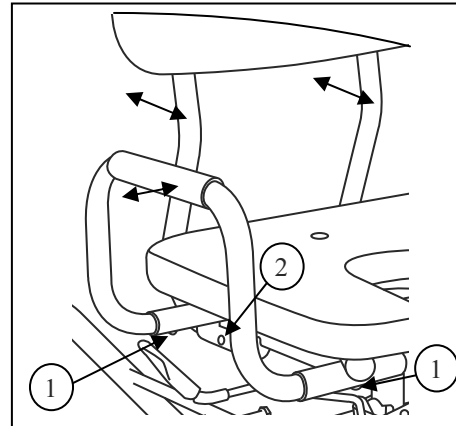


Abb. 2. Anbauen / Abbauen der Armauflagen und der Rückenstütze

6.1. Abbauen der Armauflagen

1. Drücken Sie auf die beiden Stifte ① an der Unterseite des Armauflagenrohrs (direkt unter dem Sitz) ein.
2. Ziehen Sie die Armauflage ab.

6.2. Anbauen der Armauflagen

1. Stecken Sie die Rohre der Armauflagen in die Rohre am Untergestell.
2. Stellen Sie sicher, dass die Armauflagen korrekt fixiert sind. Wenn die Stifte ① hörbar in die Löcher einrasten, sind die Armauflagen korrekt fixiert.

6.3. Abbauen der Rückenstütze

1. Drücken Sie auf die beiden Stifte ② an der Außenseite der Rückenstützenrohre (knapp unterhalb der Rückseite des Sitzes).
2. Ziehen Sie die Rückenstütze nach hinten.

6.4. Anbauen der Rückenstütze

1. Stecken Sie die Rohre der Rückenstütze in die Rohre am Rahmen.
2. Stellen Sie sicher, dass die Rückenstütze korrekt fixiert ist. Wenn die Stifte ② hörbar in die Löcher einrasten, ist die Rückenstütze korrekt fixiert.

7. Verwenden des Drehstuhles

Der Badewannendrehstuhl wurde speziell für die Verwendung in einer Badewanne entwickelt. Die Gummi-Enden an den Auflageelementen garantieren für einen sicheren Halt des Sitzes und verhindern ein Gleiten über den Badewannenrand.

Der Sitz wird oben auf einer Badewanne montiert und lässt sich leicht entfernen, wenn er nicht in Gebrauch ist. So können andere Personen die Badewanne benutzen.

7.1. Befestigen des Drehsitzes an einer Badewanne

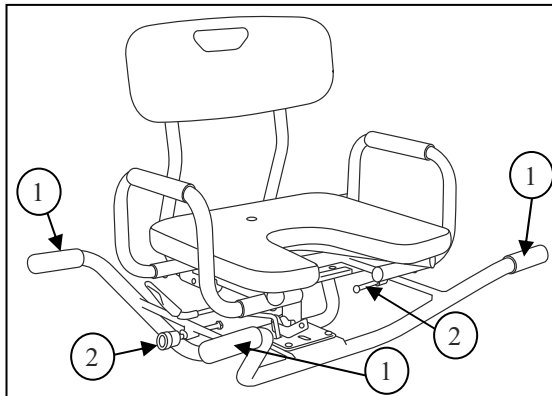


Abb. 3. Befestigen / Abbauen des Drehsitzes an einer Badewanne

⚠ VORSICHT: Verletzungsgefahr – Achten Sie darauf, dass der Sitz mit den Befestigungsschrauben sicher an der Badewanne befestigt ist.

⚠ VORSICHT: Verletzungsgefahr – Achten Sie darauf, dass jedes Auflageelement mindestens 30 mm über den Badewannenrand steht.

1. Setzen Sie den Drehsitz mit den vier Auflageelementen ① auf den Rand der Badewanne.
2. Drehen Sie die Befestigungsschrauben ② auf beiden Seiten gegen die Badewanne.
3. Drehen Sie die Flügelschraube gegen das Untergestell.
4. Achten Sie darauf, dass der Drehsitz sicher an der Badewanne befestigt ist.

7.2. Abbauen des Drehsitzes von der Badewanne

1. Lösen Sie die Flügelschraube.
2. Lösen Sie die Befestigungsschrauben ② von der Badewanne.
3. Nehmen Sie den Drehsitz von der Badewanne.

7.3. Drehen des Drehsitzes

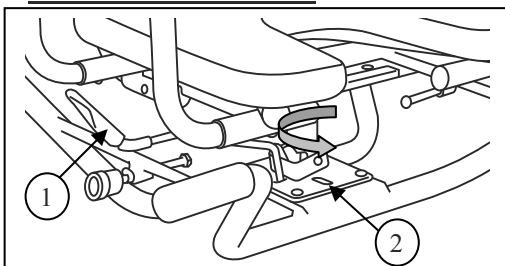


Abb. 4. Drehen des Drehsitzes

⚠ VORSICHT: Verletzungsgefahr – Stellen Sie sicher, dass der Sitz nach dem Drehen korrekt arretiert ist.

Lassen Sie sich beim Drehen des Sitzes helfen, um den Drehvorgang möglichst ruckfrei und sicher durchzuführen.

1. Ziehen Sie den Drehhebel ①. Der Hebel löst sich aus der Verriegelung ②.
2. Heben Sie die Beine des Patienten, wenn Sie den Sitz in die Waschposition drehen.
3. Drehen Sie den Sitz in die gewünschte Position. Drehen Sie den Sitz in die gewünschte Position. Der Sitz lässt sich in vier 90°-Positionen arretieren, indem Sie den Hebel in eine der vier Verriegelungsbohrungen einrasten lassen ②.

Gewünschte Positionen:

- **Position des Patienten zum Waschen:** Stellen Sie den Sitz parallel zum Untergestell
- **Position des Patienten zum Ein- und Ausstieg aus dem Drehsitz:** Stellen Sie den Sitz rechtwinklig zum Untergestell

4. Verriegeln Sie den Sitz, indem Sie den Hebel ① in die richtige Verriegelungsbohrung ② einrasten lassen.
5. Stellen Sie sicher, dass der Sitz korrekt arretiert ist.

7.4. Ein- und Ausstieg aus dem Sitz

⚠ VORSICHT: Verletzungsgefahr – Achten Sie darauf, nicht auf dem Badezimmerboden auszurutschen.

Für Menschen ohne Gehbehinderung:

1. Gehen Sie bis zum Drehsitz.
2. Drehen Sie den Sitz in eine geeignete Position, so dass Sie sich einfach in den Sitz setzen können. (Sitz rechtwinklig zum Untergestell)
3. Setzen Sie sich auf den Sitz. Für zusätzlichen Halt können Sie die Armauflagen greifen. **Achten Sie darauf, nicht auf dem Boden auszurutschen.**
4. Drehen Sie den Sitz in die Waschposition.

Für Personen mit Gehbehinderung:

1. Lassen Sie sich von einer Person beim Einsteigen auf den Drehsitz helfen.
2. Drehen Sie den Sitz in eine geeignete Position. (Sitz rechtwinklig zum Untergestell)
3. Heben Sie den Patienten auf den Drehsitz. Für zusätzlichen Halt kann der Patient die Armauflagen greifen.
4. Drehen Sie den Sitz in die Waschposition.

Wenn der Drehsitz für einen sicheren Einstieg zu hoch ist, können Sie einen Tritt oder eine Bank verwenden.

8. Transportieren des Drehsitzes

Der Drehsitz lässt sich am besten am Griff in der Rückenstütze tragen.

9. Sicherheitshinweise

- **Überlasten Sie nicht den Sitz (max. 130 kg).**
- Verwenden Sie den Sitz nur auf horizontalen, nicht glatten Oberflächen des Badewannenrands.
- Halten Sie den Sitz fern von Kindern- Er ist kein Kinderspielzeug.
- Sollte der Sitz von Kindern (oder in deren Nähe) oder von behinderten Personen genutzt werden, so ist dies nur unter Beaufsichtigung zulässig.
- Verletzungsgefahr – Achten Sie darauf, dass Sie das Gerät keinen extremen Temperaturen aussetzen, da sich die verwendeten Materialien den Umgebungstemperaturen angleichen, was bei Berührung zu Verletzungen führen kann.
- Achten Sie auf Ihre Finger.
- Halten Sie Finger, Kleidung, Schmuck oder andere Gegenstände von sich bewegenden Teilen fern.
- Stellen Sie sicher, dass der Sitz nach dem Drehen korrekt arretiert ist.
- Achten Sie darauf, dass der Sitz mit den Befestigungsschrauben sicher an der Badewanne befestigt ist.
- Achten Sie darauf, dass jedes Auflageelement mindestens 30 mm über den Badewannenrand steht.
- Verwenden Sie den Drehsitz nicht, wenn er nicht ordnungsgemäß funktioniert.
- Verwenden Sie ausschließlich von Vermeiren genehmigtes Zubehör.
- Achten Sie auf die Pflege- und Wartungshinweise. Bei Schäden durch mangelnde Wartung/Pflege haftet der Hersteller nicht.

10. Pflege

Zum Reinigen verwenden Sie am besten eine Seifenlösung. Das Reinigungsmittel sollte in jedem Fall einen pH-Wert von min. 6 aufweisen. Verwenden Sie keine lösungsmittelhaltigen Reinigungsmittel. Beachten Sie die Hinweise der jeweiligen Desinfektionsmittel. Zur Reinigung verwenden Sie bitte ein feuchtes Tuch und lauwarmes Wasser. Vermeiden Sie eine Durchnässung. Verwenden Sie keine Metallbürsten oder andere scharfkantige oder spitze

Reinigungsutensilien. Bei Lackschäden wenden Sie sich an Ihren Fachhändler.

Regelmäßige Pflege erhält Ihren Drehsitz in einem einwandfreien und funktionstüchtigen Zustand.

Reinigen Sie alle Kunststoffteile des Drehsitzes mit einem handelsüblichen Kunststoffreiniger. Verwenden Sie nur eine weiche Bürste oder einen weichen Schwamm. Kunststoffteile sind z. B. die Sitzfläche und Rückenstütze.

11. Desinfektion

Zur Desinfektion verwenden Sie nur Desinfektionsmittel, die für die Behandlung von lackierten Metalloberflächen und Kunststoffoberflächen geeignet sind. Beachten Sie die Hinweise der jeweiligen Desinfektionsmittel. Verwenden Sie nur validierte Verfahren (Scheuerdesinfektion) und Desinfektionsmittel nach den Angaben des Robert-Koch-Institutes (Info über: www.rki.de). Eine Desinfektion darf nur von dafür geschultem Personal durchgeführt werden. Wenden Sie sich an Ihren Fachhändler.

12. Reparatur / Wartung / Inspektion

Die Lebenszeit des Sitz hängt ab von der Art der Nutzung, der Einlagerung, regelmäßigen Kontrollen, Service und Pflege.

Verwenden Sie ausschließlich VERMEIREN-Originalersatzteile. Reparaturen, Instandsetzungen dürfen nur von geschultem Personal durchgeführt werden. Nutzen Sie die Serviceleistungen Ihres Fachhändlers. Er wird Ihnen bei Wartung und Reparatur gerne weiterhelfen.

Vor jedem Wiedereinsatz ist der Drehsitzes zu warten, wobei folgende Kriterien geprüft werden:

- • Vollständigkeit
- • Funktion des Drehmechanismus
- • Befestigungsschrauben
- Rahmen (Verformung, Standsicherheit, Verschraubungen)
- Entfernung von Verschmutzungen
- **Lackschäden (mögliche Roststellen entfernen und lackieren)**

Alle 8 Wochen:

- Fettung (Bewegliche Verbindungen sollen gefettet sein)

Alle 6 Monate (und vor jedem Wiedereinsatz) sollte der Rollator gewartet werden nach folgenden Kriterien:

- Allgemeine Inspektion
- Desinfektion

13. Verpackung und Lagerung

Bei der Verpackung und Lagerung des Badewannendrehstizes sind die folgenden Hinweise zu beachten:

- Lagerung nur an einem trockenen Ort (zwischen +5°C und +41°C).
- Die relative Luftfeuchtigkeit muss zwischen 30 % und 70 % betragen.
- Achten Sie darauf, das Produkt ausreichend abzudecken oder zu verpacken, um es vor Rost und Fremdkörpern zu schützen (z. B. Salzwasser, Seeluft, Sand und Staub).
- Das Produkt muss belastungsfrei gelagert werden. (legen Sie keine schweren Teile auf das Produkt, klemmen Sie es nicht zwischen anderen Gegenständen ein usw.).

14. Gewährleistung

Auszug aus den allgemeinen Geschäftsbedingungen:

(...)

5. Die Verjährungsfrist für Gewährleistungsansprüche beträgt 24 Monate.

(...)

Wir übernehmen keine Gewähr bei Schäden, die durch konstruktive Veränderungen an unseren Produkten, mangelnde Wartung, fehlerhafte oder unsachgemäße Behandlung oder Lagerung oder Verwendung von anderen als Original-Ersatzteilen entstanden sind.

Die Gewährleistung auf Verschleißteile bzw. auf Teile, die einer natürlichen Abnutzung unterliegen, wird ebenfalls ausgeschlossen.

15. Entsorgung

Wenden Sie sich zur Entsorgung des Sitz an Ihr lokales Recyclingcenter, oder geben Sie das Produkt an den Fachhändler zurück. Dieser wird den Sitz nach einer fachgerechten Reinigung bzw. Desinfektion an den Hersteller zurücksenden, der ihn entsorgt bzw. recycelt.

Die Verpackungsmaterialien können Sie entweder zum Recycling geben oder bei Ihrem Fachhändler lassen.

16. Übereinstimmungserklärung

Der Hersteller oder sein bevollmächtigter Vertreter :

N.V. VERMEIREN N.V.

Adresse :

Vermeirenplein 1/15
2920 Kalmthout
Belgien

erklärt unter der eigenen Verantwortung, dass CE-markierte Produkte :

Produktgruppe:	Hilfsmittel: Badewannendrehstiz
Marke:	Vermeiren
Typ:	Paris

als Klasse I eingestuft werden, gemäß Anhang IX 93/42/EWG, Regel 1,

und hergestellt sind in völliger Konformität mit nachstehenden europäischen Richtlinien - inklusive der letzten Änderungen - und mit den nationalen

Gesetzen, welche diese Richtlinien ausgestalten :

Richtlinie über Medizinprodukte 93/42/EWG: 2007

und den einschlägigen europäisch harmonisierten Standards entsprechen:

EN 12182: 1999

MANUALE DI ISTRUZIONI

Sedile girevole per entrare/uscire dalla vasca da bagno "Paris"

1. Dati tecnici

⚠ AVVERTENZA: Pericolo di limiti non sicuri. Utilizzare solo nei limiti descritti nel presente manuale.

Produttore	Vermeiren
Indirizzo	Vermeirenplein 1 / 15 B-2920 Kalmthout
Tipo	Sedile girevole per entrare/uscire dalla vasca da bagno
Modello	Paris
Larghezza	515 mm
Lunghezza	721 mm
Altezza	560 mm
Altezza smontato (con schienale e poggiabraccia rimossi)	235 mm
Larghezza del sedile	410 mm
Profondità del sedile	370 mm
Altezza dello schienale	325 mm
Larghezza interna della vasca	560 - 660 mm
Peso totale	6,65 kg
Peso del telaio	5,55 kg
Peso dei poggiabraccia	0,50 kg
Peso dello schienale	0,65 kg
Peso del paziente	max. 130 kg
Temperatura conservazione	+5°C - +41°C
Ci riserviamo il diritto di apportare modifiche tecniche. Tolleranza +/- 15 mm / kg	

Ringraziamo per la fiducia accordataci con l'acquisto di un articolo di nostra produzione.

Prima di utilizzare la sedile leggere attentamente le presenti istruzioni, allo scopo di acquisire familiarità con il prodotto.

Le istruzioni contengono inoltre indicazioni per la pulizia e la manutenzione del sedile. Si prega di tenere presente che il rispetto di queste indicazioni consentirà di mantenere la sedile perfettamente efficiente e funzionante anche dopo anni.

Per qualsiasi chiarimento, rivolgersi al rivenditore specializzato.

Per individuare il centro assistenza o il rivenditore specializzato più vicino, contattare il centro Vermeiren. Nell'ultima pagina del manuale, è disponibile un elenco di centri Vermeiren autorizzati.

I pazienti con problemi alla vista possono contattare il rivenditore per le istruzioni d'uso.

2. Componenti

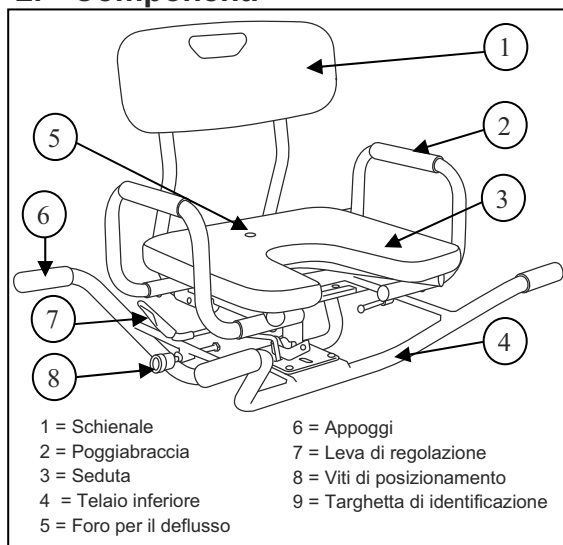


Fig 1. Componenti del sedile girevole

3. Significato dei simboli



Peso massimo



Uso interno



Conformità CE



Leggere il manuale d'istruzioni prima dell'uso



Osservare le istruzioni per la sicurezza

4. Controllo dopo la consegna

Disimballare il prodotto e verificare che tutti i componenti siano stati consegnati. Devono essere incluse le parti seguenti:

- Sedile girevole per entrare/uscire dalla vasca da bagno
- Poggiabraccia
- Schienale
- Manuale

Verificare che non si siano prodotti danni durante il trasporto. In tal caso procedere come segue:

- Rivolgersi al corriere.
- Far certificare i danni
- Informare immediatamente il corriere.

5. Utilizzo previsto

Il sedile dev'essere utilizzato da 1 sola persona.

Il sedile dev'essere utilizzato in ambienti interni, in una vasca da bagno.

La vasca è troppo piccola per un sedile per vasca o per doccia tradizionale? Allora il sedile girevole per vasca è la soluzione perfetta. Questo sedile è ideale per persone che non si sentono sicure a sedersi su un asse per vasca da bagno e può essere utilizzato con vasche da bagno la cui larghezza interna è compresa tra 560 e 660 mm.

Il sedile girevole per vasca da bagno è un sedile ruotabile a 360° che permette di entrare e uscire agevolmente dalla vasca. La seduta può essere bloccata in quattro posizioni a 90°. Il paziente si siede sul sedile lateralmente alla vasca, quindi ruota sopra la vasca, pronto per un bagno o una doccia.

La fabbricazione del sedile ne consente un utilizzo completo da parte di anziani o persone in riabilitazione in ambienti domestici.

Il sedile non deve essere utilizzato come gioco per i bambini.

Il sedile dev'essere usato esclusivamente in orizzontale, posizionato su superfici non scivolose sul bordo della vasca.

La casa costruttrice non può essere ritenuta responsabile per danni causati da mancanza di manutenzione adeguata o risultanti dal mancato rispetto delle istruzioni contenute nel presente manuale.

6. Assemblaggio/Smontaggio

⚠ ATTENZIONE: Possibilità di pizzicamento - Non infilare le dita tra i componenti del sedile.

⚠ ATTENZIONE: Rischio di schiacciamento - Tenere le dita, gli indumenti, i gioielli o altri oggetti lontano dalle parti mobili del sedile.

Il sedile Paris è realizzato con poggiatesta e schienale rimovibili ed è dotato di una seduta girevole che può essere bloccata in quattro posizioni a 90°.

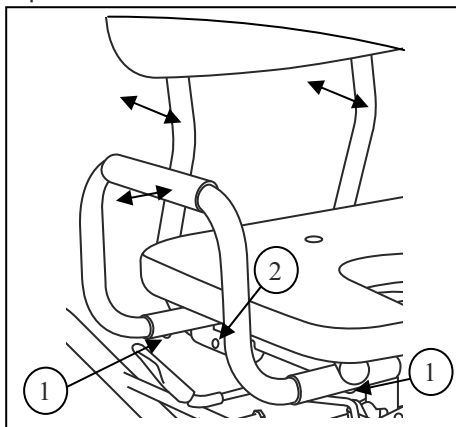


Fig 2. Montaggio / rimozione dei poggiatesta e dello schienale

6.1. Rimozione dei poggiatesta

1. Premere le due levette ① posizionate nella parte inferiore dei tubi del telaio dei poggiatesta (appena sotto la seduta).
2. Tirare il supporto dei poggiatesta verso di sé.

6.2. Montaggio dei poggiatesta

1. Premere i tubi dei poggiatesta nei tubi del telaio inferiore.
2. Verificare che i poggiatesta siano fissati saldamente. Quando si sentono le levette ① scattare in posizione nei fori significa che i poggiatesta sono fissati correttamente.

6.3. Rimozione dello schienale

1. Premere le due levette ② posizionate all'esterno dei tubi del telaio dello schienale (appena sotto lo schienale).
2. Tirare lo schienale all'indietro.

6.4. Montaggio schienale

1. Premere i tubi dello schienale nei tubi del telaio inferiore.
2. Verificare che lo schienale sia fissato saldamente. Quando si sentono le levette ② scattare in posizione nei fori significa che lo schienale è fissato correttamente.

7. Utilizzo del sedile girevole

Il sedile girevole è ideale per essere utilizzato in una vasca da bagno. I rivestimenti in gomma che ricoprono l'estremità di ciascun appoggio, progettati appositamente, garantiscono la massima stabilità e sicurezza, evitando che il sedile possa scivolare dal bordo della vasca.

Il sedile può essere montato sopra la vasca e può essere rimosso facilmente quando non lo si utilizza. In tal modo, anche altre persone possono servirsi della vasca.

7.1. Montaggio del sedile girevole sulla vasca:

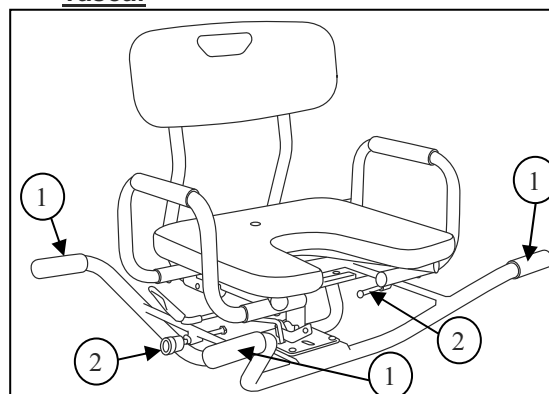


Fig 3. Montaggio / rimozione del sedile girevole dalla vasca

⚠ ATTENZIONE: Rischio di lesioni -
Verificare che il sedile sia fissato correttamente alla vasca con le viti di posizionamento.

⚠ ATTENZIONE: Rischio di lesioni -
Verificare che una porzione lunga almeno 30 mm di ciascun appoggio sia posizionata saldamente su ogni lato della vasca.

1. Posizionare il sedile girevole con i quattro appoggi ① sul bordo della vasca.
2. Ruotare le viti di posizionamento ② per bloccare il sedile contro entrambi i lati della vasca.
3. Ruotare la vite a galletto per bloccare il sedile contro il telaio inferiore.
4. Verificare che il sedile girevole sia fissato correttamente e saldamente alla vasca.

7.2. Rimozione del sedile girevole dalla vasca:

1. Allentare la vite a galletto.
2. Allentare le viti di posizionamento ② sbloccandole dal bordo della vasca.
3. Rimuovere il sedile girevole dalla vasca.

7.3. Rotazione del sedile girevole:

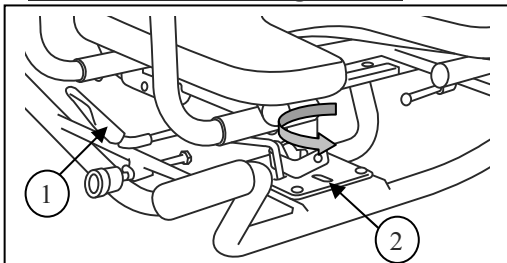


Fig 4. Rotazione del sedile girevole

⚠ ATTENZIONE: Rischio di lesioni -
Verificare che il sedile sia saldamente bloccato prima di ruotarlo.

Farsi assistere da qualcuno per eseguire una rotazione del sedile girevole sicura e senza problemi.

1. Tirare la leva di regolazione ① verso l'alto. La leva esce dal foro di bloccaggio ②.
2. Sollevare le gambe del paziente durante la rotazione in posizione di lavaggio.
3. Ruotare il sedile nella posizione desiderata. Il sedile può essere bloccato in quattro posizioni a 90° collocando la leva in uno dei quattro fori di bloccaggio ②.
Posizioni desiderate:

- **Posizione per lavare il paziente:** collocare il sedile parallelamente al telaio inferiore
- **Posizione per far sedere/far alzare il paziente dal sedile girevole:** collocare il sedile perpendicolarmente al telaio inferiore

4. Bloccare il sedile posizionando la leva di regolazione ① nel foro di bloccaggio corretto ②.
5. Verificare che il sedile sia bloccato correttamente.

7.4. Posizionamento del paziente sul sedile:

⚠ ATTENZIONE: Rischio di lesioni -
Prestare attenzione a non scivolare sul pavimento del bagno.

Per persone in grado di camminare:

1. Avvicinarsi al sedile girevole.
2. Ruotare il sedile girevole in una posizione comoda per sedersi. (Seduta perpendicolare al telaio inferiore)
3. Posizionarsi sul sedile. Per avere un ulteriore supporto, è possibile afferrare i poggiatesta. **Prestare attenzione a non scivolare sul pavimento.**
4. Ruotare il sedile nella posizione adatta al lavaggio.

Per persone non in grado di camminare:

1. Farsi assistere da qualcuno per far sedere e alzare il paziente dal sedile girevole.
2. Ruotare il sedile in posizione comoda. (Seduta perpendicolare al telaio inferiore)
3. Sollevare il paziente sul sedile girevole. Per avere un ulteriore supporto, il paziente può afferrare i poggiatesta.
4. Ruotare il sedile nella posizione adatta al lavaggio.

Se il sedile girevole si trova troppo in alto per posizionare il paziente con sicurezza, è possibile servirsi di uno sgabello con gradini o di una scaletta.

8. Trasporto del sedile girevole

Il modo migliore per trasportare il sedile girevole è afferrare il sedile dal foro situato sullo schienale.

9. Istruzioni per la sicurezza

- **Non sovraccaricare la sedile. La portata massima è di Kg.130.**
- Utilizzare il sedile in orizzontale, posizionato su superfici non scivolose sul bordo della vasca.
- Tenere lontano dalla portata dei bambini. Il sedile non deve essere utilizzato come giocattolo.
- Se il sedile viene utilizzata da o vicino a bambini, invalidi o disabili, è necessaria la supervisione di un adulto.
- Pericolo di ustioni. Prestare attenzione durante l'uso in ambienti caldi o freddi per un determinato periodo di tempo e quando si tocca il dispositivo.
- Non posizionare le dita tra i componenti del sedile.
- Tenere le dita, vestiti e gioielli o altro lontano dalle parti mobili del sedile.
- Verificare che il sedile sia bloccato correttamente dopo averlo ruotato.
- Verificare che il sedile sia fissato correttamente alla vasca con le viti di posizionamento.
- Verificare che una porzione lunga almeno 30 mm di ciascun appoggio sia posizionata saldamente su ogni lato della vasca.
- Non utilizzare il sedile girevole se evidenzia problemi di funzionamento.
- Utilizzare solo gli accessori approvati Vermeiren.
- La casa costruttrice declina ogni garanzia e responsabilità in caso di uso improprio e di mancata esecuzione dei controlli prescritti nelle istruzioni per l'uso .

10. Pulizia

Per la pulizia utilizzare una soluzione a base di sapone neutro. L'eventuale detersivo deve in ogni caso avere un pH di almeno 6. Non utilizzare detersivi contenenti solventi. Attenersi alle istruzioni fornite a corredo del detersivo. Per la pulizia utilizzare un panno inumidito con acqua tiepida. Non bagnare eccessivamente il panno. Non utilizzare spazzole metalliche o oggetti abrasivi o appuntiti. In caso di danni alla vernice rivolgersi al rivenditore.

Una pulizia regolare consente di mantenere il sedile girevole in ottime condizioni e perfettamente funzionante.

Per pulire tutte le parti in plastica del sedile, utilizzare detersivi per plastica disponibili in commercio. Utilizzare solo una spazzola o una spugna morbida. Esempi di parti in plastica sono la seduta e lo schienale.

11. Disinfezione

Per sterilizzare il sedile, utilizzare soltanto disinfettanti adatti per il trattamento di metallo verniciato e superfici in plastica. Attenersi alle istruzioni fornite a corredo del detersivo. La disinfezione a sfregamento deve essere effettuata con le soluzioni disinfettanti e le percentuali di diluizione indicate nelle raccomandazioni del Robert-Koch-Institut (www.rki.de). La disinfezione dev'essere effettuata dal personale addetto all'igiene o da esso delegato. Rivolgersi al rivenditore.

12. Riparazione / Manutenzione / Controllo

La durata del prodotto dipende dall'utilizzo, dalla manutenzione, dallo stoccaggio e dalla pulizia.

Utilizzare solo le parti di ricambio autorizzate Vermeiren. Le riparazioni e le manutenzioni devono essere eseguite da personale competente. Rivolgersi al servizio assistenza del rivenditore per le riparazioni e la manutenzione .

Prima di riprendere a utilizzare il sedile, deve essere sottoposto a manutenzione attenendosi ai seguenti criteri:

- Completezza
- Funzionamento del meccanismo di rotazione
- Viti di posizionamento
- Telaio (deformazione, stabilità, collegamenti a vite)
- Pulizia
- **Danni alla vernice (eliminare e riverniciare eventuali tracce di ruggine).**

Ogni 8 settimane

- Lubrificazione (le connessioni mobili devono essere leggermente ingrassate)

Ogni sei mesi o per ogni nuovo utente, è necessaria la manutenzione in base ai seguenti criteri:

- Controllo generale.
- Disinfezione

13. Trasporto e conservazione

Il trasporto e la conservazione del sedile girevole per vasca devono essere conformi alle seguenti istruzioni:

- Conservare in un luogo asciutto (tra +5°C e +41°C).
- L'umidità relativa dell'aria deve essere compresa tra il 30% e il 70%.
- Assicurare sufficiente protezione o imballaggio da preservare il prodotto da ruggine e corpi estranei (per es. acqua salata, aria di mare, sabbia).
- Conservare il prodotto senza sottoporlo a sollecitazioni. (Non appoggiare parti pesanti sul prodotto, non incastrarlo tra altri oggetti ...)

14. Garanzia

Tranne per le "Condizioni generali aziendali":
(...)

5. Il periodo per i reclami in garanzia è pari a 24 mesi.

(...)

Non rientrano in garanzia danni derivanti da modifiche strutturali ai prodotti, scarsa manutenzione, gestione o conservazione difettosa o impropria, né utilizzo di parti non originali.

Non rientrano inoltre in garanzia parti o parti operative soggette a usura e logoramento naturali.

15. Smaltimento

Al momento dello smaltimento del sedile, contattare il centro di raccolta locale o restituire il prodotto al rivenditore, che dopo averla sottoposta a una procedura igienica la potrà inviare al produttore che la smaltirà e riciclerà nel modo corretto, separando componenti e materiali.

I materiali di imballaggio possono essere portati ai centri di raccolta o riconsegnati al rivenditore.

16. Dichiarazione di conformità

Il fabbricante o il distributore :

N.V. VERMEIREN N.V

Indirizzo :

Vermeirenplein 1/15

2920 Kalmthout

Belgio

dichiara sotto la propria responsabilità, che i seguenti dispositivi medici marchiati CE:

Gruppo Prodotto: Accessori: Sedile girevole per entrare/uscire dalla vasca da bagno

Marchio: Vermeiren

Tipo: Paris

sono classificati come di Classe I, come da allegato IX 93/42/CEE, riga 1,

e vengono fabbricati secondo le normative sotto riportate, comprese le ultime variazioni e secondo la legge nazionale che regolamenta dette direttive :

Normative sui dispositivi medici 93/42/CEE: 2007

e rispettano le seguenti normative europee armonizzate:

EN 12182: 1999

MANUAL DE INSTRUCCIONES

Asiento giratorio de traslado para el baño "Paris"

1. Datos técnicos

⚠ ADVERTENCIA: Riesgo por ajustes peligrosos; utilice únicamente los ajustes indicados en este manual.

Fabricante	Vermeiren
Dirección	Vermeirenplein 1/15, B-2920 Kalmthout
Tipo	Asiento giratorio de traslado para el baño
Modelo	Paris
Anchura	515 mm
Longitud	721 mm
Altura	560 mm
Altura desmontado (respaldo y reposabrazos extraídos)	235 mm
Anchura del asiento	410 mm
Profundidad del asiento	370 mm
Altura del respaldo	325 mm
Profundidad interior de la bañera	560 - 660 mm
Peso total	6,65 kg
Peso del armazón	5,55 kg
Peso de los reposabrazos	0,50 kg
Peso del respaldo	0,65 kg
Peso del paciente	máx. 130 kg
Temperatura de almacenamiento	+5°C - +41°C
Reservado el derecho de aplicar modificaciones técnicas. Tolerancia de la medida +/- 15 mm/kg	

En primer lugar, queremos agradecerle la confianza que ha puesto en nosotros eligiendo un producto **VERMEIREN**.

Antes de usar el asiento, lea atentamente el manual de instrucciones para familiarizarse con este producto.

También obtendrá consejos acerca de los cuidados y mantenimiento de su asiento. Recuerde que si sigue nuestros consejos mantendrá su producto en excelente estado de conservación y funcionará perfectamente durante años.

Si tiene más preguntas, le rogamos que consulte a su distribuidor especializado. Para encontrar un centro de servicio o un distribuidor especializado cerca de usted, póngase en contacto con el centro Vermeiren más próximo. Puede encontrar una lista con los centros Vermeiren en la última página.

Las personas con deficiencias visuales pueden ponerse en contacto con el distribuidor para obtener las instrucciones de uso.

2. Componentes

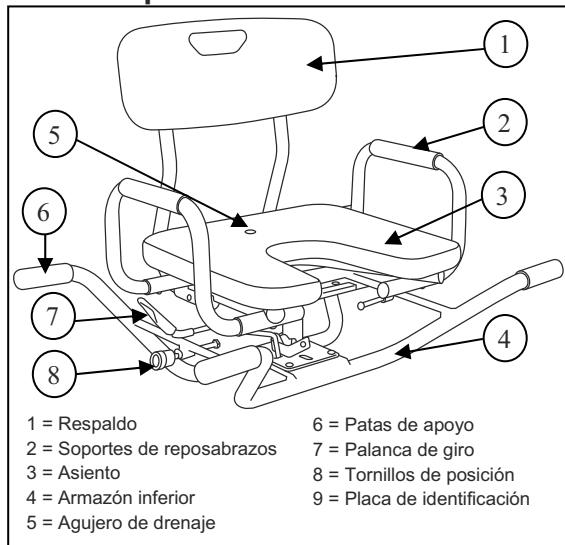


Fig. 1. Componentes del asiento giratorio

3. Explicación de los símbolos



Peso máximo



Uso en el interior



Conformidad con la CE



Lea el manual de instrucciones antes de utilizarlo



Siga las instrucciones de seguridad

4. Comprobación tras la entrega

Desembale el producto y compruebe que incluye todos los componentes. El paquete debe contener los siguientes elementos:

- Asiento giratorio de traslado para el baño
- reposabrazos,
- Respaldo
- Manual

Inspeccione el producto para comprobar si ha sufrido daños durante el transporte. Si encuentra daños tras la entrega, proceda de la siguiente manera:

- Póngase en contacto con el transportista
- Haga una lista con los problemas detectados
- Póngase en contacto con su proveedor

5. Uso previsto

El asiento debe ser usado por una persona. El asiento se debe utilizar en interiores, en una bañera.

¿Su bañera es demasiado pequeña para albergar un asiento de transferencia convencional de seguridad para la bañera/ducha? Si es así, el asiento giratorio de traslado para el baño es su solución.

El asiento es ideal para aquellas personas que no se sienten cómodas al sentarse en la bañera. El asiento giratorio se puede utilizar en una bañera con una profundidad interior de 560 a 660 mm.

El asiento giratorio de traslado para el baño es un asiento que gira 360° y que le permitirá moverse fácilmente por encima de la bañera. El asiento se puede fijar en cuatro posiciones de 90 grados. El usuario se sienta en el asiento desde un lado de la bañera y gira por encima de la bañera para lavarse o ducharse.

El asiento está indicado para personas mayores o para personas que están haciendo una rehabilitación en el hogar.

El asiento no se debe utilizar como diversión para niños.

El asiento solo se debe utilizar en posición horizontal, en superficies no pulidas de la bañera.

El fabricante no asumirá responsabilidad alguna por los daños causados por la falta de mantenimiento, un mantenimiento inadecuado o si no se siguen las instrucciones indicadas en este manual.

6. Montaje/Desmontaje

⚠ PRECAUCIÓN: Peligro de pillarse los dedos: no coloque los dedos entre los componentes del asiento.

⚠ PRECAUCIÓN: Riesgo de atrapamiento: mantenga los dedos, ropa, joyas u otros artículos alejados de las partes móviles del asiento.

Los reposabrazos y el respaldo del asiento giratorio Paris son extraíbles, y el asiento se puede fijar en cuatro posiciones a 90°.

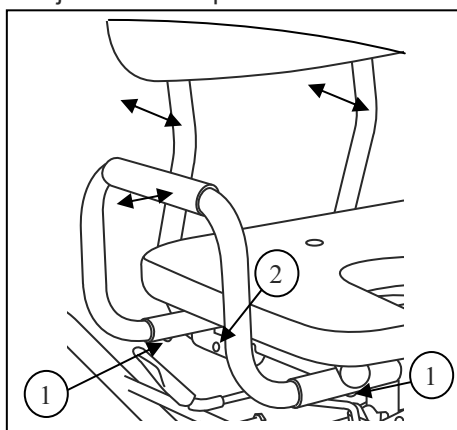


Fig. 2. Montaje/desmontaje de los reposabrazos y el respaldo

6.1. Desmontaje de los reposabrazos

1. Pulse los dos pasadores ① ubicados en la parte inferior de los tubos del reposabrazos (justo debajo del asiento).
2. Tire del reposabrazos.

6.2. Montaje de los reposabrazos

1. Introduzca los tubos de los reposabrazos en los tubos del armazón inferior.
2. Compruebe que los reposabrazos estén bien fijados. Cuando los pasadores ① hagan clic en los agujeros, significará que los reposabrazos están bien fijados.

6.3. Desmontaje del respaldo

1. Presione los dos pasadores ② ubicados en la parte exterior de los tubos del respaldo (justo debajo de la parte trasera del asiento).
2. Tire del respaldo hacia atrás.

6.4. Montaje del respaldo

1. Introduzca los tubos del respaldo en los tubos del armazón inferior.
2. Compruebe que el respaldo esté bien fijado. Cuando los pasadores ② hagan clic en los agujeros, significará que el respaldo está bien fijado.

7. Uso del asiento giratorio

El asiento giratorio de traslado para el baño es ideal para utilizarlo en la bañera. Las gomas de los extremos de las patas de apoyo hacen que el asiento sea muy estable y que no resbale en la superficie de la bañera.

El asiento se puede montar en la parte superior de la bañera y se puede extraer fácilmente cuando no se use, para que otras personas puedan usar la bañera.

7.1. Montaje del asiento giratorio en la bañera:

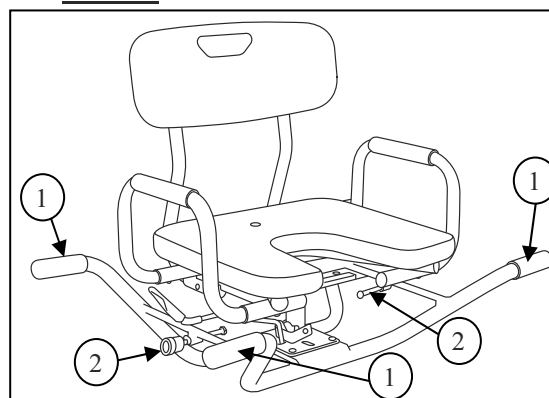


Fig. 3. Montaje/desmontaje del asiento giratorio en la bañera

⚠ PRECAUCIÓN: Riesgo de lesiones: compruebe que el asiento está bien fijado en la bañera con los tornillos de posición.

⚠ PRECAUCIÓN: Riesgo de lesiones: asegúrese de que 30 mm de cada pata, como mínimo, reposan de forma segura en cada lado de la bañera.

1. Coloque el asiento giratorio con las cuatro patas de apoyo ① en los lados de la bañera.
2. Gire los tornillos de posición ② de ambos lados hacia la bañera.
3. Gire la palomilla hacia el armazón inferior.
4. Asegúrese de que la silla giratoria está fijada correctamente en la bañera.

7.2. Desmontaje del asiento giratorio de la bañera:

1. Afloje la palomilla.
2. Afloje los tornillos de posición ② de la bañera.
3. Retire el asiento giratorio de la bañera.

7.3. Giro del asiento giratorio:

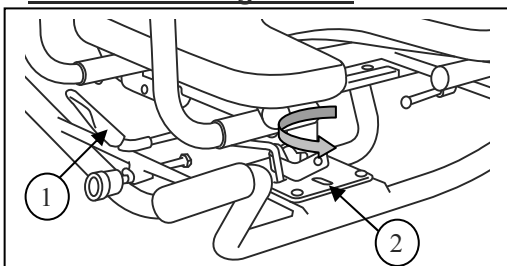


Fig. 4. Giro del asiento giratorio

⚠ PRECAUCIÓN: Riesgo de lesiones: asegúrese de que el asiento está correctamente fijado después del giro.

Pida ayuda para girar de forma sencilla y segura el asiento giratorio de traslado para el baño.

1. Tire de la palanca de giro ①. La palanca saldrá del agujero de fijación ②.
2. Levante las piernas del paciente para girar hacia la posición adecuada para el baño.
3. Gire el asiento hasta la posición deseada. El asiento se puede fijar en cuatro posiciones a 90°; para ello, coloque la palanca en uno de los cuatro agujeros de fijación ②.

Posiciones deseadas:

- **Posición del paciente para el baño:** coloque el asiento paralelo al armazón inferior.
- **Posición del paciente para el traslado al asiento giratorio o desde el asiento:** coloque el asiento en posición perpendicular al armazón inferior.

4. Fije el asiento colocando la palanca de giro ① en el agujero de fijación correcto ②.
5. Compruebe que el asiento está bien fijado.

7.4. Traslado al asiento giratorio o del asiento:

⚠ PRECAUCIÓN: Riesgo de lesiones: tenga cuidado de no resbalar en el suelo de la bañera.

Para personas que pueden andar:

1. Vaya hasta el asiento giratorio.
2. Gire el asiento giratorio hasta la posición deseada; le debe resultar fácil desplazarse hasta el asiento (en posición perpendicular al armazón inferior).
3. Colóquese en el asiento. Para sujetarse mejor, puede apoyarse en los reposabrazos. **Tenga cuidado de no resbalar en el suelo.**
4. Gire el asiento giratorio hasta la posición deseada para el baño.

Para personas con movilidad reducida:

1. Pida a alguien que le ayude a trasladarse hasta el asiento giratorio y desde el asiento.
2. Gire el asiento hasta la posición correcta (en posición perpendicular al armazón inferior).
3. Coloque al paciente en el asiento giratorio. Para sujetarse mejor, el paciente se puede apoyar en los reposabrazos.
4. Gire el asiento giratorio hasta la posición deseada para el baño.

Si el asiento giratorio está colocado a demasiada altura para realizar el traslado de forma segura, puede utilizar un taburete o banco.

8. Transporte del asiento giratorio

La mejor forma de transportar el asiento giratorio es sujetarlo por el asidero del respaldo.

9. Instrucciones de seguridad

- **No sobrepasar dicho peso. La presión máxima para este aparato es de 130 Kg.**
- Utilice el asiento giratorio en posición horizontal, en superficies no pulidas de la bañera.
- Manténgalo alejado de los niños. El asiento giratorio no se usa como un juguete.
- La supervisión es necesaria cuando sea utilizado por niños o cerca de ellos, minusválidos o discapacitados.
- Riesgo de quemaduras: tenga cuidado cuando circule por entornos calientes o fríos durante un período de tiempo prolongado, ya que podría quemarse al tocar el dispositivo.
- No coloque los dedos entre los componentes del asiento giratorio.
- Mantener alejados los dedos, ropa, joyas o otros artículos de las partes móviles del asiento giratorio.
- Después del giro, compruebe que el asiento está bien fijado.
- Compruebe que el asiento está bien fijado en la bañera con los tornillos de posición.
- Asegúrese de que 30 mm de cada pata, como mínimo, reposan de forma segura en cada lado de la bañera.
- Si el asiento no funciona correctamente, no lo utilice.
- Sólo use accesorios Vermeiren aprobados.
- Tenga en cuenta las instrucciones de cuidado y mantenimiento. El fabricante no asume ninguna responsabilidad por los daños derivados de un cuidado o mantenimiento incorrectos.

10. Cuidados

Se recomienda usar una solución jabonosa para la limpieza. El líquido limpiador debe en todo caso tener un pH de al menos un valor de 6. No emplee un agente limpiador que contenga disolventes.

Siga las instrucciones del líquido limpiador empleado. Utilice un trapo húmedo y agua tibia para limpiar el andador. Evite empaparlos. No use cepillos metálicos ni cualquier otro utensilio de limpieza afilado o puntiagudo. En caso de daños en el esmalte, consulte con su distribuidor especializado.

Si aplica cuidados periódicos, se asegurará de que el asiento giratorio se conserve en un estado funcional perfecto.

Limpie las piezas de plástico del asiento giratorio con limpiadores de plástico comerciales. Utilice solo cepillos o esponjas

suaves. Entre las piezas de plástico se encuentran el asiento y el respaldo.

11. Desinfección

Para la esterilización, emplee únicamente desinfectantes adecuados para el tratamiento de superficies de metal esmaltado y de plástico. Siga las instrucciones del líquido limpiador empleado. Emplee únicamente procesos (para la desinfección por frotamiento) y desinfectantes comprobados que estén incluidos en la lista del Robert Koch Institute (encontrará información en: www.rki.de). Sólo el personal con la debida formación puede llevar a cabo las desinfecciones. Consulte a su distribuidor especializado.

12. Reparaciones / Mantenimiento / Inspección

La vida útil del asiento giratorio del uso, del almacenamiento, del mantenimiento periódico, de las inspecciones y de la limpieza.

Debe usar únicamente repuestos originales de VERMEIREN. Sólo el personal con la debida formación puede llevar a cabo las reparaciones y puestas a punto. Haga uso de los servicios que ofrece su distribuidor especializado, que le proporcionará gustosamente más ayuda en lo referente al mantenimiento y las reparaciones.

Antes de volver a usar el asiento, debe realizarse una revisión conforme a los siguientes criterios:

- Estado completo
- Funcionamiento del mecanismo de giro
- Tornillos de posición
- Armazones (deformación, estabilidad, conexiones)
- limpieza
- **Esmalte dañado (eliminación de posible óxido y nueva capa de pintura)**

Cada 8 semanas:

- Lubricación (deben engrasarse las piezas móviles)

Cada 6 meses o para cada nuevo usuario, debería realizarse una revisión conforme a los siguientes criterios:

- revisión general
- Desinfección

13. Envío y almacenamiento

El envío y almacenamiento del asiento giratorio de traslado para el baño se deben realizar conforme a las instrucciones siguientes:

- Almacenamiento en un lugar seco (entre +5°C y +41°C).
- La humedad relativa del aire debe situarse entre 30% y 70%.
- Cubra o empaquete el producto lo suficiente como para protegerlo de la oxidación y de cuerpos extraños (p. ej. agua salada, brisa marina, arena, polvo, etc.).
- El producto se debe almacenar sin estar sujeto a cargas (no coloque piezas pesadas sobre el producto, no lo encaje entre otros objetos, etc.).

14. Garantía

Extracto de las "Condiciones Comerciales Generales".

(...)

5. El período para reclamaciones en garantía es de 24 meses.

(...)

La garantía no incluye los daños provocados por cambios estructurales en nuestros productos, un mantenimiento insuficiente, una manipulación o almacenamiento defectuosos o inadecuados, o el uso de piezas no originales.

Asimismo, la garantía no incluye las partes o piezas funcionales sometidas al desgaste y la abrasión naturales.

15. Eliminación

Para desechar del asiento giratorio, póngase en contacto con la planta de desechos de su región o devuelva el producto a su distribuidor especializado, quien, una vez realizado el proceso higiénico, devolverá la silla al fabricante, que la desechará o reciclará de forma correcta separando sus componentes.

Los embalajes pueden llevarse a las plantas de desecho o reciclaje o a su distribuidor especializado.

16. Declaración de conformidad

El fabricante o su representante autorizado:

N.V. VERMEIREN N.V.

Dirección:

Vermeirenplein 1/15

2920 Kalmthout

Bélgica

declara bajo su propia responsabilidad, el marcado CE productos sanitarios:

Producto : Asiento giratorio de traslado para el baño

Marca : Vermeiren

Tipo : Paris

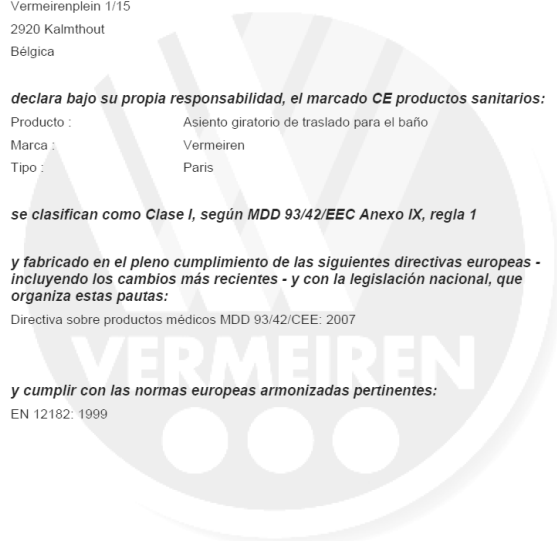
se clasifican como Clase I, según MDD 93/42/EEC Anexo IX, regla 1

y fabricado en el pleno cumplimiento de las siguientes directivas europeas - incluyendo los cambios más recientes - y con la legislación nacional, que organiza estas pautas:

Directiva sobre productos médicos MDD 93/42/CEE: 2007

y cumplir con las normas europeas armonizadas pertinentes:

EN 12182: 1999



INSTRUKCJA OBSŁUGI

Obrotowe krzesło do wanny „Paris”

1. Dane techniczne

⚠ OSTRZEŻENIE: Ryzyko dokonania nastaw zagrażających bezpieczeństwu - należy używać wyłącznie nastaw opisanych w niniejszej instrukcji.

Producent	Vermeiren
Adres	Vermeirenplein 1 / 15 B-2920 Kalmthout
Typ	Obrotowe krzesło do wanny
Model	Paris
Szerokość	515 mm
Długość	721 mm
Wysokość	560 mm
Wysokość bez zamontowanego oparcia i podłokietników	235 mm
Szerokość siedziska.	410 mm
Głębokość siedziska	370 mm
Wysokość oparcia	325 mm
Wewnętrzna szerokość wanny	560 - 660 mm
Całkowity ciężar	1,95 kg
Ciężar ramy	5,55 kg
Ciężar podłokietników	0,50 kg
Ciężar oparcia	0,65 kg
Obciążenie	maks. 130 kg
Temperatura przechowywania	+5°C - +41°C
Producent zastrzega sobie prawo do wprowadzania zmian parametrów technicznych. Tolerancja pomiaru +/- 15 mm / kg	

Dziękujemy za zaufanie jakim nas Państwo obdarzyliście wybierając wyroby **VERMEIREN**.

Przed użyciem należy zapoznać się z niniejszą instrukcją.

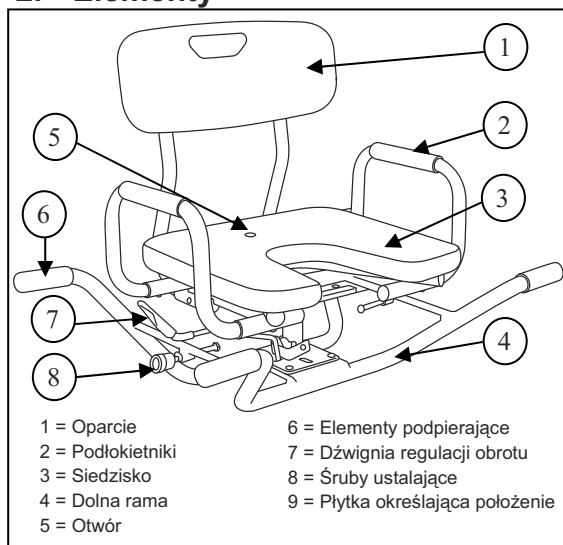
Instrukcja zawiera wskazówki ; jak konserwować i serwisować krzesło. Proszę pamiętać, że przestrzeganie niniejszych wskazówek pozwoli utrzymać wyrób w najlepszej kondycji oraz pozwoli na prawidłowe funkcjonowanie przez lata używania.

W razie jakichkolwiek pytań prosimy kontaktować się ze sprzedawcą.

Aby uzyskać informację o odpowiednim punkcie serwisowym lub wyspecjalizowanym sprzedawcy, skontaktuj się z najbliższym przedstawicielem firmy Vermeiren. Wykaz przedstawicieli firmy Vermeiren podano na ostatniej stronie.

Osoby niedowidzące mogą skontaktować się ze sprzedawcą w celu uzyskania instrukcji użytkownika.

2. Elementy



Rys. 1. Elementy krzesła obrotowego

3. Objaśnienie symboli



Maksymalna waga



Do używania na wewnątrz



Zgodność CE



Przed użyciem przeczytać instrukcję obsługi.



Stosować się do instrukcji bezpieczeństwa.

4. Kontrola po dostawie

Dostarczony produkt należy rozpakować i sprawdzić, czy zawiera wszystkie elementy. W zestawie powinny znajdować się:

- Krzesło obrotowe do wanny
- Podłokietniki
- Oparcie
- Instrukcja obsługi

Proszę sprawdzić wyrób pod kątem zniszczeń w transporcie. Jeśli wyrób nosi ślady uszkodzeń w transporcie proszę zastosować się do poniższej procedury:

- Proszę skontaktować się i poinformować firmę transportową
- Sporządzić listę uszkodzeń
- Skontaktuj się ze sprzedawcą

5. Przeznaczenie

Krzesło jest przeznaczone dla 1 osoby. Nadaje się do użytku w zamkniętym pomieszczeniu, w wannie.

Czy Twoja wanna jest za mała dla standardowego/prysznicowego/rehabilitacyjnego krzesła do wanny? Obrotowe krzesło do wanny jest zatem doskonałym rozwiązaniem. Krzesło jest przeznaczone dla osób, które mają trudności z siadaniem w wannie. Można je stosować w wannach o szerokości wewnętrznej od 560 do 660 mm.

Krzesło obraca się o 360°, umożliwiając przenoszenie pacjenta ponad brzegiem wanny. Siedzisko można zablokować w czterech ustawieniach co 90 stopni. Pacjent siada na siedzisku od zewnętrznej strony wanny, a następnie obraca się do wnętrza wanny, aby wziąć kąpiel lub prysznic.

Konstrukcja krzesła umożliwia osobom starszym lub przechodzącym okres rehabilitacji korzystanie z wszystkich funkcji krzesła w środowisku domowym.

Krzesło nie powinno być używane jako zabawka dla dzieci.

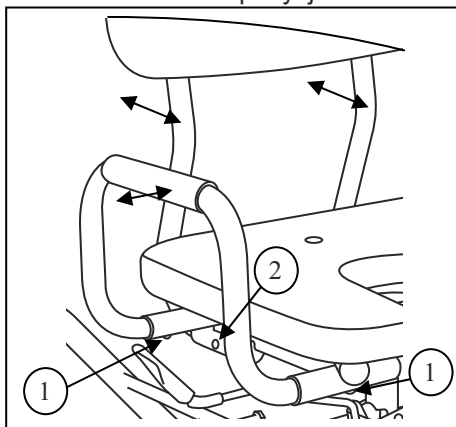
Krzesła należy używać wyłącznie w pozycji poziomej, na niegładkiej powierzchni wanny. Producent nie ponosi odpowiedzialności za uszkodzenia spowodowane zaniedbaniem konserwacji, nieodpowiednim serwisowaniem bądź będące skutkiem nieprzestrzegania zaleceń zawartych w niniejszej instrukcji obsługi.

6. Montaż/Demontaż

⚠ OSTROŻNIE: **Możliwość przyszczyknięcia** — nie należy wkładać palców pomiędzy elementy krzesła.

⚠ OSTROŻNIE: **Ryzyko przytrzaśnięcia** — należy trzymać palce, odzież, biżuterię i inne przedmioty w bezpiecznej odległości od ruchomych części krzesła.

Krzesło Paris jest wyposażone w zdejmowane podłokietniki i oparcie, a jego siedzisko można unieruchomić w czterech pozycjach co 90°.



Rys. 2. Montaż/demontaż podłokietników i oparcia

6.1. Demontaż podłokietników

1. Naciśnij dwa kołki ① znajdujące się po spodniej stronie rurek podłokietnika (tuż pod siedziskiem).
2. Wsuń podłokietnik z rurek dolnej ramy.

6.2. Montaż podłokietników

1. Wsuń rurki podłokietników do rurek dolnej ramy.
2. Sprawdź, czy podłokietniki są odpowiednio zamocowane. Podłokietniki są dobrze zamocowane, gdy kołki ① zostają zatrzaśnięte w otworach.

6.3. Demontaż oparcia

1. Naciśnij dwa kołki ② znajdujące się po zewnętrznej stronie rurek oparcia (tuż pod tylną częścią siedziska).
2. Pociągnij oparcie do tyłu.

6.4. Mocowanie oparcia

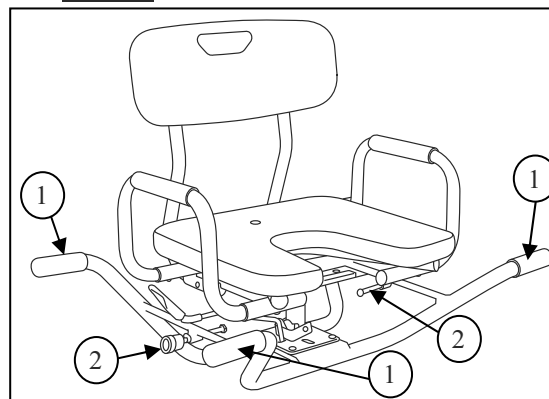
1. Wsuń rurki oparcia do rurek dolnej ramy.
2. Sprawdź, czy oparcie jest odpowiednio zamocowane. Oparcie jest dobrze zamocowane, gdy kołki ② zostają zatrzaśnięte w otworach.

7. Obsługa krzesła obrotowego

Krzesło obrotowe doskonale nadaje się do użytku w wannie. Specjalnie zaprojektowane gumowe końcówki znajdujące się na każdej z nóg utrzymujących zapewniają stabilność krzesła i uniemożliwiają ślizganie po płycie wanny.

Krzesło można umieścić na wannie i w łatwy sposób je ściągnąć, gdy nie jest używane. Dzięki temu inne osoby również mogą korzystać z wanny.

7.1. Mocowanie krzesła obrotowego do wanny:



Rys. 3. Mocowanie krzesła do wanny oraz demontaż

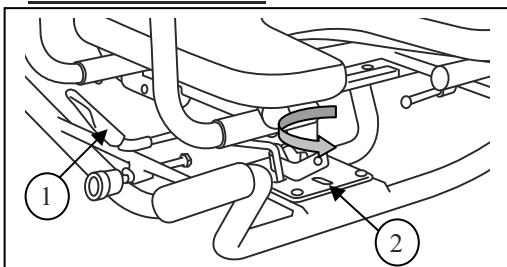
- ⚠ **OSTROŻNIE: Ryzyko urazu — należy sprawdzić, czy krzesło jest odpowiednio przymocowane do wanny za pomocą śrub ustalających.**
- ⚠ **OSTROŻNIE: Ryzyko urazu — należy sprawdzić, czy co najmniej 30 mm długości każdej z nóg utrzymujących krzesło na wannie bezpiecznie opiera się na płycie wanny.**

1. Umieść krzesło tak, aby każda z czterech nóg utrzymujących ① znajdowała się na płycie wanny.
2. Dokręć śruby ustalające ② do boków wanny.
3. Dokręć śrubę motylkową do dolnej ramy.
4. Sprawdź, czy krzesło jest odpowiednio przymocowane do wanny.

7.2. Zdejmowanie krzesła obrotowego z wanny:

1. Odkręć śrubę motylkową.
2. Odkręć śruby ustalające ② po obu stronach wanny.
3. Ściągnij krzesło z wanny.

7.3. Obracanie krzesła:



Rys. 4. Obracanie krzesła

- ⚠ **OSTROŻNIE: Ryzyko urazu — po obróceniu krzesła należy upewnić się, że zostało odpowiednio unieruchomione.**

Pomoc drugiej osoby pozwala w wygodny i bezpieczny sposób obrócić krzesło.

1. Pociągnij dźwignię do góry ①. Dźwignia zostaje zwolniona z otworu blokującego ②.
2. Unieś nogi pacjenta podczas obracania krzesła do pozycji kąpielni.
3. Ustaw krzesło w odpowiedniej pozycji. Krzesło można unieruchomić w czterech pozycjach co 90°, umieszczając dźwignię w jednym z czterech otworów blokujących ②.

Możliwe pozycje:

- **Pozycja do mycia:** ustaw krzesło równoległe do dolnej ramy
 - **Pozycja do siadania na krzesło/zsiadania z krzesła:** ustaw krzesło prostopadłe do dolnej ramy
4. Zablokuj krzesło, umieszczając dźwignię ① we właściwym otworze blokującym ②.
 5. Sprawdź, czy krzesło jest odpowiednio unieruchomione.

7.4. Siadanie na krzesło/zsiadanie z krzesła:

- ⚠ **OSTROŻNIE: Ryzyko urazu — należy uważać, aby nie poślizgnąć się na podłodze.**

Osoby, które mogą chodzić:

1. Podejdź do krzesła.
2. Ustaw krzesło w odpowiedniej pozycji, aby można było bez problemu na nim usiąść. (pozycja prostopadła do dolnej ramy)
3. Usiądź na krzesło. Podłokietniki można wykorzystać jako dodatkowe podparcie. **Uważaj, aby nie poślizgnąć się na podłodze.**
4. Obróć krzesło do kąpielni.

Osoby, które nie mogą chodzić:

1. Siadanie na krzesło/zsiadanie powinno odbywać się przy pomocy drugiej osoby.
2. Ustaw krzesło w odpowiedniej pozycji. (pozycja prostopadła do dolnej ramy)
3. Podnieś pacjenta na krzesło. Podłokietniki można wykorzystać jako dodatkowe podparcie.
4. Obróć krzesło do kąpielni.

Jeśli krzesło znajduje się na zbyt dużej wysokości, aby móc w bezpieczny sposób przenieść pacjenta, można użyć stołka/taweczki.

8. Przenoszenie krzesła

Krzesło można najwygodniej przenieść, trzymając je za uchwyt oparcia.

9. Instrukcje bezpieczeństwa

- **Nie należy przekraczać dopuszczalnej wagi obciążeniowej na krzesła. (130 kg na krzesła.)**
- Krzesła należy używać w pozycji poziomej, na niegładkiej powierzchni wanny.
- Należy trzymać z dala od dzieci. Krzesła nie służy do zabawy dla dzieci.
- Jeżeli krzesła używany jest przez dzieci lub w ich pobliżu, oraz używany jest przez osoby niepełnosprawne to potrzebny jest nadzór.
- Istnieje ryzyko poparzenia - Należy zachować ostrożność podczas przewożenia przy bardzo wysokich i niskich temperaturach przez dłuższy czas i przy kontakcie ze skórą.
- Nie wkładaj palców pomiędzy elementy ruchome krzesła.
- Należy trzymać palce, odzież, biżuterię i inne przedmioty w bezpiecznej odległości od ruchomych części krzesła.
- Należy sprawdzić, czy po obróceniu siedziska krzesło jest odpowiednio unieruchomione.
- Należy sprawdzić, czy krzesło jest odpowiednio przymocowane do wanny za pomocą śrub ustalających.
- Co najmniej 30 mm długości każdej z nóg utrzymujących krzesło na wannie powinno bezpiecznie opierać się na bokach wanny.
- Nie należy używać krzesła, jeśli nie działa prawidłowo.
- Należy korzystać wyłącznie z akcesoriów zatwierdzonych przez firmę Vermeiren.
- Proszę dokładnie zapoznać się z instrukcją w zakresie bezpieczeństwa i serwisu. Producent nie bierze odpowiedzialności za zniszczenia spowodowane przez nie właściwe użytkowanie i konserwację.

10. Pielęgnacja

Zaleca się do czyszczenia używanie roztworu wody z mydłem. Płyn do czyszczenia powinien mieć PH na poziomie przynajmniej 6. Nie należy używać środków czyszczących zawierających rozpuszczalniki. Należy zawsze zwrócić uwagę na instrukcję środka czyszczącego. Do czyszczenia należy używać wilgotnej ściereczki oraz letniego płynu. Unikać przemoczenia. Nie należy używać metalowych szczotek oraz żadnych innych ostrych przyborów czyszczących. Regularna konserwacja zapewni długi okres prawidłowego funkcjonowania krzesła. Regularna pielęgnacja krzesła pozwala utrzymać je w idealnym stanie.

Plastikowe części krzesła należy czyścić dostępnymi w sprzedaży środkami czyszczącymi do plastiku. Można używać wyłącznie miękkich szczotek lub gąbek. Przykładem plastikowych części jest siedzisko lub oparcie.

11. Dezynfekcja

Do sterylizacji należy stosować wyłącznie środki odkażające przeznaczone do powlekanych powierzchni metalowych i powierzchni plastikowych. Należy zawsze zwrócić uwagę na instrukcję środka czyszczącego. Zaleca się stosować środki sprawdzone które są na liście Instytutu Roberta Kocha (informacje można uzyskać na stronie: www.rki.de). Dezynfekcja może być przeprowadzona wyłącznie przez przeszkolone osoby. Należy skontaktować się ze sprzedawcą.

12. Naprawy/konserwacja/ przeglądy

Trwałość krzesła zależy od sposobu jego użytkowania, przechowywania, regularnej konserwacji, serwisowania i czyszczenia.

Należy używać wyłącznie oryginalnych części zamiennych. Napraw i remontów może być przeprowadzona wyłącznie przez przeszkolone osoby. Jeśli to możliwe należy korzystać z serwisu dostawcy. On chętnie pomożemy w odniesieniu do usług i remontów.

Zanim krzesło zostanie ponownie użyte, należy sprawdzić:

- Kompletności
- Działanie mechanizmu obrotowego
- Śruby ustalające
- Ramy, (uszkodzenia, deformacje, stabilność)
- Czyszczenie
- **Uszkodzenia powłoki lakierniczej (usunąć możliwą rdzę i przemałować)**

Co 8 tygodni:

- Smarowanie (ruchome części powinny być smarowane)

Co 6 miesięcy lub przed każdym nowym użytkownikiem, krzesła powinien być poddany:

- Przegląd generalny
- Dezynfekcja

13. Transport i przechowywanie

Podczas transportu i przechowywania krzesła należy stosować się do następujących instrukcji:

- Przechowywanie w miejscu suchym (między +5°C a +41°C).
- Względna wilgotność powietrza powinna wynosić od 30% do 70%.
- Należy zapewnić odpowiednie przykrycie lub opakowanie chroniące krzesło przed rdzą i zanieczyszczeniami (np. wodą morską, morskim powietrzem, piachem, kurzem).
- Krzesło należy przechowywać w miejscu, w którym nie będzie narażone na odkształcenia. (Nie należy kłaść na nie ciężkich przedmiotów, wciskać je pomiędzy inne przedmioty itd.)

14. Gwarancja

Wycinek z „Ogólnych warunków prowadzenia działalności”:

(...)

5. Okres gwarancji obejmujący roszczenia gwarancyjne trwa 24 miesiące.

(...)

Gwarancja nie obejmuje uszkodzeń powstałych na skutek dokonywania zmian strukturalnych produktu, niewystarczającej konserwacji, niewłaściwego użytkowania lub przechowywania lub korzystania z nieoryginalnych części.

Gwarancja nie obejmuje również części lub części ruchomych podlegających naturalnemu zużyciu.

15. Utylizacja

Podczas utylizacji krzesła obrotowe należy skontaktować się z lokalnym centrum składowania odpadów lub zwrócić produkt wyspecjalizowanemu sprzedawcy, który po poddaniu fotelika procedurze czyszczącej może odesłać go do producenta, który z kolei podda produkt odpowiedniej utylizacji i recyklingowi, rozkładając go na materiały składowe.

Materiały pakunkowe można oddać do centrum utylizacji i recyklingu lub wyspecjalizowanemu sprzedawcy.

16. Deklaracja zgodności

Producent lub jego upoważniony przedstawiciel:

N.V. VERMEIREN N.V

Adres:

Vermeirenplein 1/15

2920 Kalmthout

Belgia

deklaruje na własną odpowiedzialność, że wyroby medyczne ze znakiem CE:

Produktu: Obrotowe krzesło do wanny

Marka: Vermeiren

Typ: Paris

Są sklasyfikowane jako klasa I, zgodnie z MDD 93/42/EEC załączniku IX, zasady 1 i wykonane są w pełnej zgodności z następującymi dyrektywami europejskimi:

Dyrektywa o wyrobach medycznych MDD 93/42/EEC

w tym najnowsze zmiany oraz z prawem krajowym, który organizuje te wytyczne.

oraz spełnia wymagania zasadnicze określone w:

Ustawie o wyrobach medycznych z dnia 20 maja 2010

Oraz zgodne są z odpowiednimi zharmonizowanymi normami europejskimi:

PN-EN 12182:2005



SERVICE

The swivel bath seat was serviced:
Le chaise pivotante dans le bain a été contrôlé:
De draaibare badstoel is gecontroleerd:

Das Badewannendrehsitz wurde überprüft:
La sedile girevole da bagno è stat ispezionata:
La asiento giratorio baño ha sido revisada por:
Z obrotowe krzesło do wanny był serwisowany:

Dealer's stamp • Cachet du revendeur • Stempel van de handelaar
Händlerstempel • Timbro del rivenditore • Sello del distribuidor •
Dealerzy pieczęć:

Date • Datum • Data • Fecha:

Dealer's stamp • Cachet du revendeur • Stempel van de handelaar
Händlerstempel • Timbro del rivenditore • Sello del distribuidor •
Dealerzy pieczęć:

Date • Datum • Data • Fecha:

Dealer's stamp • Cachet du revendeur • Stempel van de handelaar
Händlerstempel • Timbro del rivenditore • Sello del distribuidor •
Dealerzy pieczęć:

Date • Datum • Data • Fecha:

Dealer's stamp • Cachet du revendeur • Stempel van de handelaar
Händlerstempel • Timbro del rivenditore • Sello del distribuidor •
Dealerzy pieczęć:

Date • Datum • Data • Fecha:

Dealer's stamp • Cachet du revendeur • Stempel van de handelaar
Händlerstempel • Timbro del rivenditore • Sello del distribuidor •
Dealerzy pieczęć:

Date • Datum • Data • Fecha:

Dealer's stamp • Cachet du revendeur • Stempel van de handelaar
Händlerstempel • Timbro del rivenditore • Sello del distribuidor •
Dealerzy pieczęć:

Date • Datum • Data • Fecha:

Dealer's stamp • Cachet du revendeur • Stempel van de handelaar
Händlerstempel • Timbro del rivenditore • Sello del distribuidor •
Dealerzy pieczęć:

Date • Datum • Data • Fecha:

Dealer's stamp • Cachet du revendeur • Stempel van de handelaar
Händlerstempel • Timbro del rivenditore • Sello del distribuidor •
Dealerzy pieczęć:

Date • Datum • Data • Fecha:

Dealer's stamp • Cachet du revendeur • Stempel van de handelaar
Händlerstempel • Timbro del rivenditore • Sello del distribuidor •
Dealerzy pieczęć:

Date • Datum • Data • Fecha:

Dealer's stamp • Cachet du revendeur • Stempel van de handelaar
Händlerstempel • Timbro del rivenditore • Sello del distribuidor •
Dealerzy pieczęć:

Date • Datum • Data • Fecha:

- For service checklists an additional technical information, please see our specialist dealers nearest to you. More information on our website at: www.vermeiren.com.
- Les listes des contrôles à effectuer lors des entretiens de même que toute autre information technique sont disponibles auprès de nos filiales. Pour de plus amples informations, consultez le site: www.vermeiren.fr.
- Servicelijsten en andere technische informatie kunt u aanvragen bij onze vestigingen. Meer informatie vindt u ook op: www.vermeiren.be.
- Servicechecklisten und weitere technische Informationen erhalten Sie über unsere Niederlassungen. Informationen unter: www.vermeiren.de, www.vermeiren.at, www.vermeiren.ch.
- Gli elenchi di controllo di manutenzione e ulteriori informazioni tecniche sono disponibili presso le nostre filiali. Per informazioni consultare il sito: www.vermeiren.com.
- Para un servicio de revisión o información técnica adicional, por favor, consulte a nuestros distribuidores especialistas más cercanos. Más información en nuestra página web: www.vermeiren.com.
- Po dodatkowe informacje techniczne oraz listę części zamiennych proszę się kontaktować z naszym wyspecjalizowanymi dystrybutorami w pobliżu miejsca zamieszkania. Więcej informacji na naszej stronie www.vermeiren.pl.

ITALIANO

GARANZIA CONTRATTUALE

La carrozzina manuali sono garantite 5 anni, la carrozzine ultra leggera 4 anni. Le carrozzine elettroniche, tricicli, letti e altri prodotti: 2 anno contro tutti i difetti di costruzione o di materiale (batterie 6 mesi). Multiposizioni 3 anni. Questa garanzia e' limitata alle sostituzione di parti riconosciute difettose.

CONDIZIONI

Per far valere la garanzia, e' necessario indirizzarla al vostro distributore di fiducia che presentera' al produttore il tagliando.

RISERVE

Questa garanzia non potra' essere applicata nei seguenti casi:

- danno dovuto al cattivo ed improprio utilizzo della carrozzina,
- danno subito durante il trasporto,
- incidente o caduta,
- smontaggio, modifica, o riparazione effettuate in proprio,
- usura abituale della carrozzina,
- invio del tagliando di garanzia con la data di acquisto.



B

Naam/Nom/Name

Name/Nome

Adres/Adresse/Address

Adresse/Indirizzo

Woonplaats/Domicile/Home

Wohnort/Citta

E-mail

Artikel/Article/Article

Articolo/Articolo

Reeks nr./N° de série/Serie nr.

Serien-Nr./No. di serie

Aankoopdatum/Date d'achat/Date of purchase

Kaufdatum/Data di acquisto

Stempel verkoper/Timbre du vendeur

Dealer stamp/Händlerstempel

Timbro del rivenditore

VERMEIREN



**WAARBORG
GARANTIE
WARRANTY
GARANTIE
GARANZIA**

N.V. VERMEIREN N.V.

VERMEIRENPLEIN 1-15

B-2920 Kalmthout

Tel.: 00 32 (0)3 620 20 20

Fax: 00 32 (0)3 666 48 94

www.vermeiren.com

A

Naam/Nom/Name

Name/Nome

Adres/Adresse/Address

Adresse/Indirizzo

Woonplaats/Domicile/Home

Wohnort/Citta

E-mail

Artikel/Article/Article

Articolo/Articolo

Reeks nr./N° de série/Serie nr.

Serien-Nr./No. di serie

Aankoopdatum/Date d'achat/Date of purchase

Kaufdatum/Data di acquisto

Stempel verkoper/Timbre du vendeur

Dealer stamp/Händlerstempel

Timbro del rivenditore

NEDERLANDS

CONTRACTUELE GARANTIE

Op de manuele rolstoelen geven wij 5 jaar: lichtgewicht rolstoelen 4 jaar. Op de elektronische rolstoelen, driewielers, bedden en andere producten : 2 jaar waarbij op constructie - of materiaalhouren (batterijen 6 maanden). Op multiposite rolstoelen geven we 3 jaar waarbij. Deze garantie is uitdrukkelijk beperkt tot de vervanging van defecte stukken of onderdelen.

TOEPASSINGSVOORWAARDEN

Om aanspraak te kunnen maken op de waarborg, bezorgt u het garantiecertificaat dat u heeft, bewaard, aan uw Vermeiren dealer. De waarborg is enkel geldig in de zetel van de onderneming.

UITZONDERINGEN

Deze garantie is niet van toepassing in geval van:

- schade te wijten aan het verkeerd gebruik van de rolstoel,
- beschadiging tijdens het transport,
- een val of een ongeval
- een demontage, wijziging of herstelling uitgevoerd buiten onze firma,
- normale slijtage van de rolstoel,
- niet inzenden van de garantiestrook.

FRANCAIS

GARANTIE CONTRACTUELLE

Les fauteuils manuels standard sont garantis 5 ans, les fauteuils ultra légers 4 ans. Les fauteuils électroniques, tricycles, lits et autres produits: 2 ans contre tous vices de construction ou de matériaux (batteries 6 mois). Fauteuils multiposition 3 ans. Cette garantie est expressément limitée au remplacement des éléments ou pièces détachées reconnues défectueuses.

CONDITIONS D'APPLICATION

Pour prétendre à cette garantie, il faut présenter le certificat de garantie que vous avez conservé à votre distributeur Vermeiren. La garantie est uniquement valable au siège de la société.

RESERVES

Cette garantie ne pourra être appliquée en cas de:

- dommage dû à la mauvaise utilisation du fauteuil,
- endommagement pendant le transport,
- accident ou chute,
- démontage, modification ou réparation fait en dehors de notre société,
- usure normale du fauteuil,
- non retour du coupon de garantie.

ENGLISH

CONTRACTUAL WARRANTY

We offer 5 years of warranty on standard wheelchairs, lightweight wheelchairs 4 years. Electronic wheelchairs, tricycles, beds and other products: 2 years (batteries 6 months) and multiposition wheelchairs 3 years. This warranty is limited to the replacement of defective or spare parts.

APPLICATION CONDITIONS

In order to claim this warranty, part "B" of this card has to be given to your official Vermeiren dealer. The warranty is only valid when parts are replaced by Vermeiren in Belgium.

EXCEPTIONS

This warranty is not valid in case of:

- damage due to incorrect usage of the wheelchair,
- damage during transport,
- involvement in an accident,
- a dismount, modification or repair carried outside of our company and/or official Vermeiren dealership,
- normal wear of the wheelchair,
- non-return of the warranty card

DEUTSCH

GARANTIEERKLÄRUNG

Wir garantieren, dass für unsere Rollstühle hochwertige Produkte verwendet werden, die in sorgfältiger Verarbeitung nach dem neuesten Stand der Technik montiert werden. Bevor Ihr Rollstuhl unser Werk verlassen hat, wurde er einer eingehenden Endkontrolle unterzogen, um auch letzte, eventuell vorhandene Mängel aufzuspüren.

Auf Standardrollstühle gewähren wir eine Garantie von 5 Jahren, auf Leichtgewichtrollstühle 4 Jahre, auf elektronische Rollstühle, Dreiräder, Betten und andere Produkte: 2 Jahre (Batterien 6 Monate), auf Multifunktionsrollstühle 3 Jahre.

In dieser Garantie eingeschlossen sind alle Mängel, die auf einen Produkt- oder Verarbeitungsfehler zurückzuführen sind. Dieser Garantie unterliegen keine Schäden aus unsachgemäßer Benutzung. Ebenfalls sind Verschleißteile von der Garantie ausgenommen.

Sollte einmal der Fall eingetreten sein, dass Sie aus berechtigtem Grunde mit Ihrem Rollstuhl unzufrieden sind, so wenden Sie sich bitte unverzüglich an Ihren Fachhändler. Er wird sich in enger Zusammenarbeit mit uns darum bemühen, eine für Sie zufriedenstellende Lösung zu finden.

A

- terugsturen binnen de 8 dagen na aankoop of registreer uw product via onze website, <https://www.vermeiren.be/registration>
- à renvoyer dans les 8 jours après achat ou régistrier votre produit sur notre site, <https://www.vermeiren.be/registration>
- please return within 8 days of date of purchase or register your product at our website, <https://www.vermeiren.be/registration>
- zurückschicken innerhalb von 8 Tagen nach kauf oder registrieren Sie Ihr Produkt auf unserer website, <https://www.vermeiren.be/registration>
- da restituire entro 8 giorni dalla data di acquisto o registri il vostro prodotto al nostro web site, <https://www.vermeiren.be/registration>

B

- in geval van herstelling, kaart "B" bijvoegen.
- en cas de réparation, veuillez ajouter la carte "B".
- in case of repair, please add part "B".
- im Falle einer Reparatur, Karte "B" beifügen
- in case di riparazione, ripregheteci la carta "B".

N.V. VERMEIREN N.V.
Vermeirenplein 1/15
B-2920 Kalmthout
BELGIUM





Notes

A series of horizontal dotted lines for writing notes.



Notes

A series of horizontal dotted lines for taking notes.

Belgium

N.V. Vermeiren N.V.

Vermeirenplein 1 / 15
B-2920 Kalmthout
Tel: +32(0)3 620 20 20
Fax: +32(0)3 666 48 94
website: www.vermeiren.be
e-mail: info@vermeiren.be

France

Vermeiren France S.A.

Z. I., 5, Rue d'Ennevelin
F-59710 Avelin
Tel: +33(0)3 28 55 07 98
Fax: +33(0)3 20 90 28 89
website: www.vermeiren.fr
e-mail: info@vermeiren.fr

Italy

Reatime S.R.L.

Viale delle Industrie 5
I-20020 Arese MI
Tel: +39 02 99 77 07
Fax: +39 02 93 58 56 17
website: www.reatime.it
e-mail: info@reatime.it

Poland

Vermeiren Polska Sp. z o.o

ul. Łączna 1
PL-55-100 Trzebnica
Tel: +48(0)71 387 42 00
Fax: +48(0)71 387 05 74
website: www.vermeiren.pl
e-mail: info@vermeiren.pl

Spain

Vermeiren Iberica, S.L.

Trens Petits, 6. - Pol. Ind. Mas Xirgu.
17005 Girona
Tel: +34 902 48 72 72
Fax: +34 972 40 50 54
website: www.vermeiren.es
e-mail: info@vermeiren.es

Germany

Vermeiren Deutschland GmbH

Wahlerstraße 12 a
D-40472 Düsseldorf
Tel: +49(0)211 94 27 90
Fax: +49(0)211 65 36 00
website: www.vermeiren.de
e-mail: info@vermeiren.de

Austria

L. Vermeiren Ges. mbH

Winetzhammerstraße 10
A-4030 Linz
Tel: +43(0)732 37 13 66
Fax: +43(0)732 37 13 69
website: www.vermeiren.at
e-mail: info@vermeiren.at

Switzerland

Vermeiren Suisse S.A.

Hühnerhubelstraße 59
CH-3123 Belp
Tel: +41(0)31 818 40 95
Fax: +41(0)31 818 40 98
website: www.vermeiren.ch
e-mail: info@vermeiren.ch

The Netherlands

Vermeiren Nederland B.V.

Domstraat 50
NL-3864 PR Nijkerkerveen
Tel: +31(0)33 2536424
Fax: +31(0)33 2536517
website: www.vermeiren.com
e-mail: info@vermeiren.be

Czech Republic

Vermeiren ČR S.R.O.

Sezemická 2757/2 - VGP Park
193 00 Praha 9 - Horní Počernice
Tel: +420 731 653 639
Fax: +420 596 121 976
website: www.vermeiren.cz
e-mail: info@vermeiren.cz